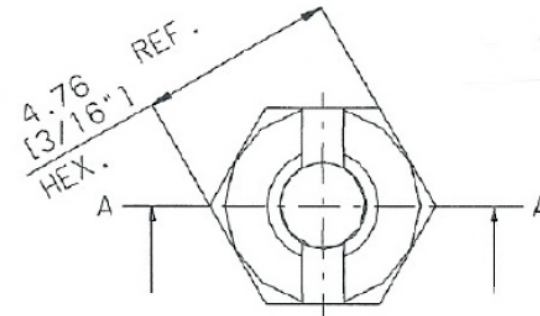
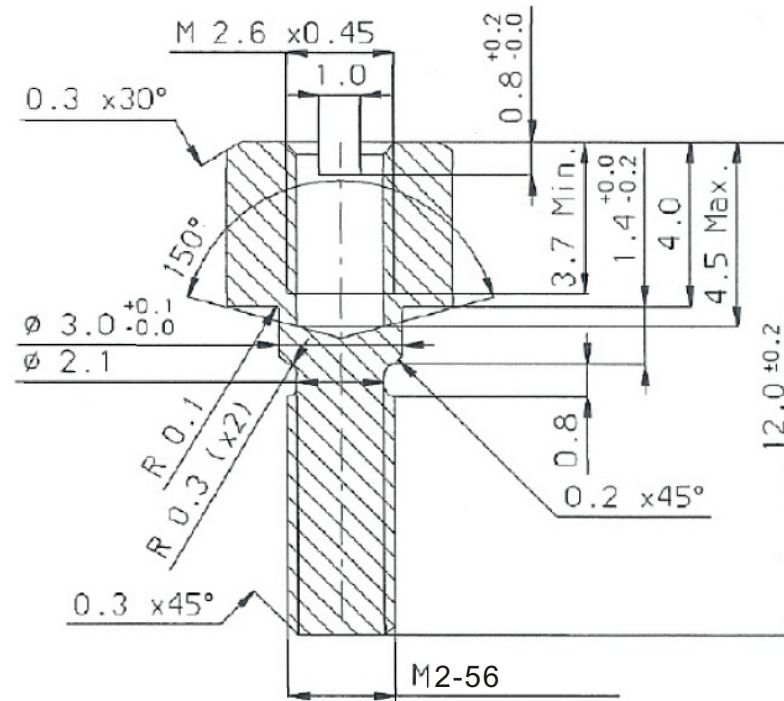
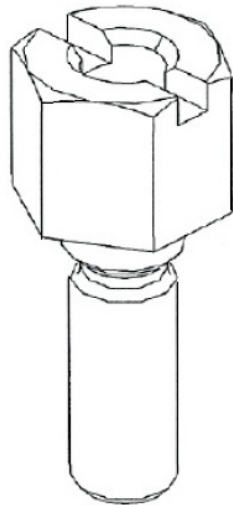


NOTES:

1. REAK BURRS, AND SHARP CORNERS.
2. SURFACE ROUGHNESS : N7
3. FINISH : PASSIVATION PER QQ-P-35 TYPE II.



RoHS Compliant

TOLERANCES ARE

MORETHANALL
PCB CONNECTORS
Cable ASSEMBLIES

煜倫股份有限公司

www.morethanall.com

DRAWING BY CY

CHECKED BY GENIUS

UNIT / mm

SCALE 1:1

DATE

SIZE A4

X. ±

.X ±

.XX ±

.XXX ±

ANG ±

PPOJECTION

照片框

ORDER INFORMATION

HS-12-SSM26256-LF
SERIES | M2.6 | M2-56 | LEADFREE
STAINLESS STEEL
11.8mm LONG

DESCRIPTION: