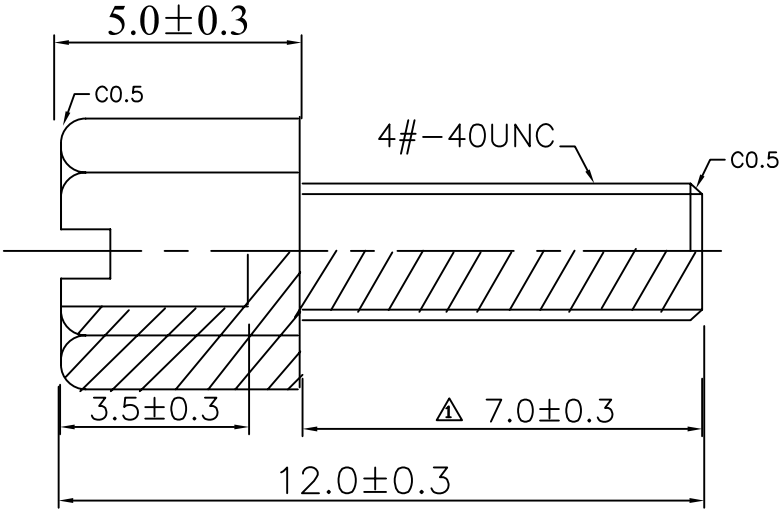
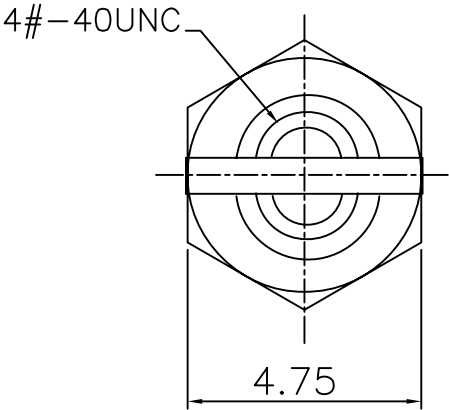


# SPECIFICATION

Material: Stainless steel



RoHS Compliant

TOLERANCES ARE

**MORETHANALL**  
PCB CONNECTORS  
Cable ASSEMBLIES

煜倫股份有限公司

www.morethanall.com

DRAWING BY CY

CHECKED BY GENIUS

UNIT / mm

SCALE 1:1

DATE

SIZE A4

PPOJECTION

X, ±  
.X ± 0.30  
.XX ±  
.XXX ±  
ANG ±



ORDER INFORMATION

HS-12-SS440S-LF  
SERIES | | | LEADFREE  
| | | SLOT  
| | | 4-40 UNC  
| | | STAINLESS STEEL  
| | | 11.8mm LONG

DESCRIPTION: