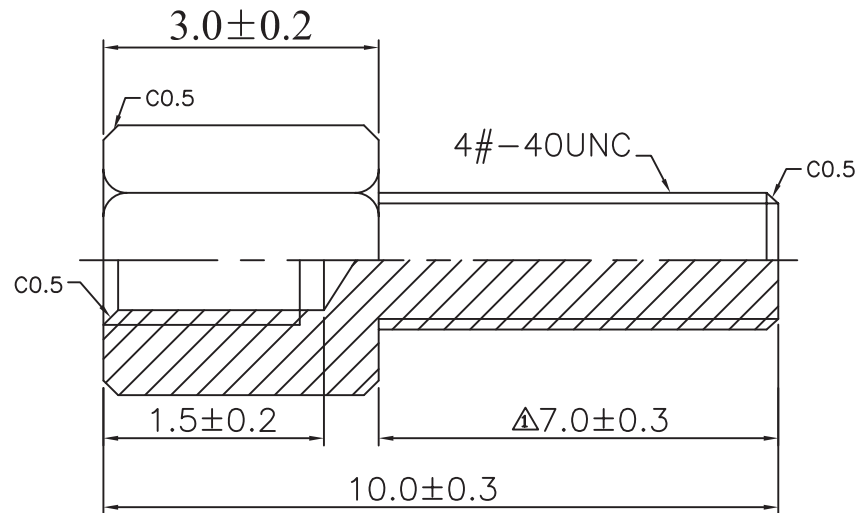
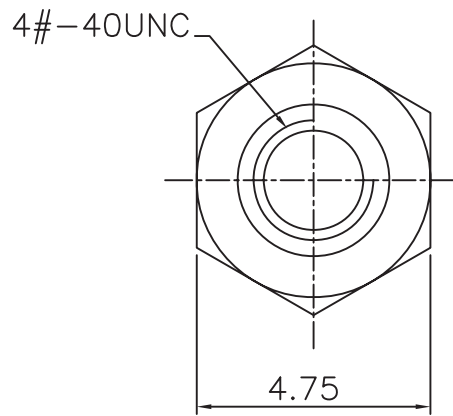


# SPECIFICATION

Material: Copper, Nickel Plated  
RoHS Compliant



**RoHS Compliant**

TOLERANCES ARE

**MORETHANALL**  
PCB CONNECTORS  
Cable ASSEMBLIES

DRAWING BY CY

CHECKED BY GENIUS

UNIT/ mm

SCALE 1:1

DATE

SIZE A4

PPOJECTION

X. ±  
.X ± 0.30  
.XX ±  
.XXX ±  
ANG ±

照片框

**ORDER INFORMATION**

HS-10-3+7-LF  
SERIES LONG 10mm  
3+7mm LEADFREE

煜倫股份有限公司

www.morethanall.com

DESCRIPTION: