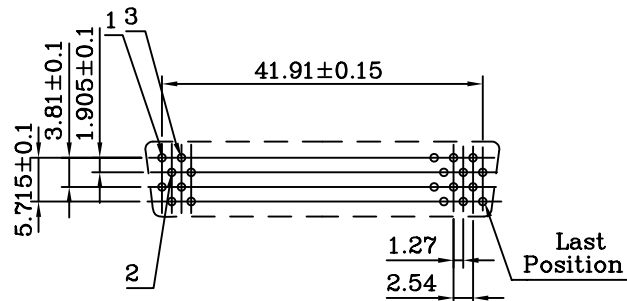
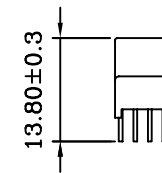
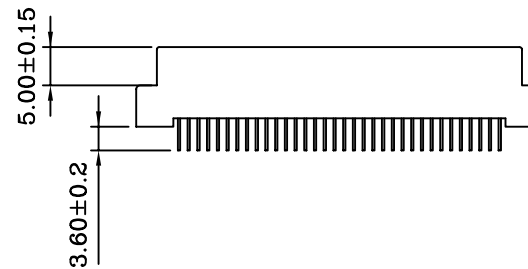
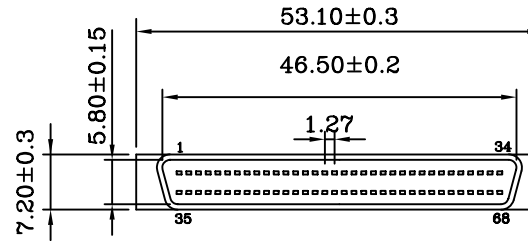


• **MATERIALS:(RoHS Compliant)**

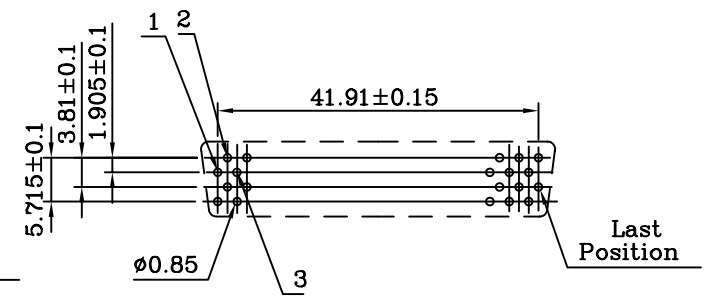
Housing : Plastic thermoplastic  
P.B.T UL94V-0 black  
Contacts : Phosphor bronze gold  
selective plated

• **ELECTRICAL CHARACTERISTICS**

Contact Current Rating: 1 Amp  
Dielectric Withstanding Voltage: 500V AC  
Insulation Resistance: 500MΩ/Min  
Contact Resistance: 35mΩ/Max  
Operation Temperature: -55°C ~ +105°C



Standard  
PCB LAYOUT



M1: Revers  
PCB LAYOUT

**RoHS Compliant**

TOLERANCES ARE

**MORETHANALL**  
PCB CONNECTORS  
Cable ASSEMBLIES

煜倫股份有限公司

www.morethanall.com

DRAWING BY CY		X.± .X± .XX± .XXX± ANG±
CHECKED BY GENIUS		
UNIT / mm	SCALE 1 : 1	
DATE		
SIZE A4	PJECTION	

照片框

**ORDER INFORMATION**

HPDP-PDxx-068-LF  
SERIES | LEADFREE  
| 68 WAY  
| BLANK-STANDARD  
| M1:MIDDLE/#1  
DIP 180°  
MALE

DESCRIPTION:1.27mm (.050") Pin Type 68Pos Plug Headers Vertical Mount Type(Unshielded)