

● **MATERIALS: (RoHS Compliant)**

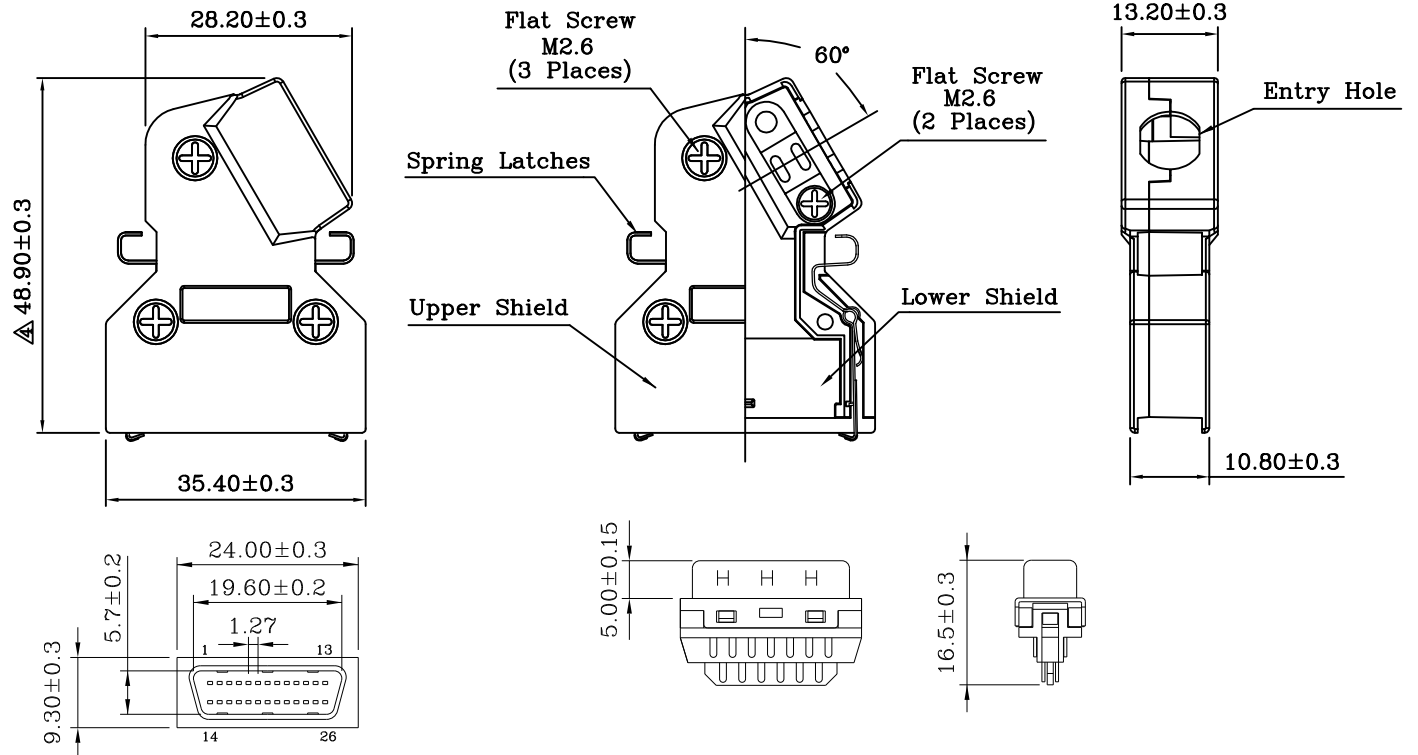
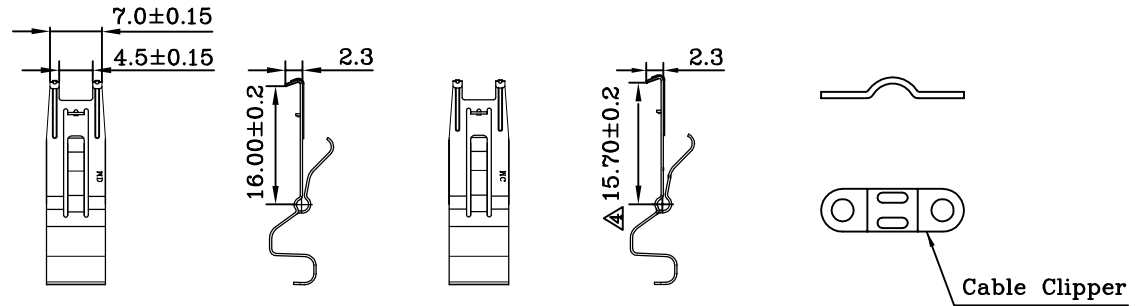
- Back Shell: Zinc Alloy Nickel Plated Over Copper
- Flat Screws: Steel Nickel Plated Over Copper
- Cable Clipper: Steel Nickel Plated Over Copper
- Spring Latches: Stainless Steel

● **MATERIALS: (RoHS Compliant)**

- Housing: Plastic Thermoplastic
P.B.T UL94V-0 Black
- Contacts: Phosphor Bronze Gold
Selective Plated
- Front Shell: Steel Nickel Plated
Over Copper

● **ELECTRICAL CHARACTERISTICS:**

- Contact Current Rating: 0.5 Amp
- Dielectric Withstanding Voltage: 500V AC
- Insulation Resistance: >500MΩ/Min
- Contact Resistance: 35mΩ/Max
- Operation Temperature: -55°C ~ +85°C



RoHS Compliant

TOLERANCES ARE

MORETHANALL
PCB CONNECTORS
Cable ASSEMBLIES

DRAWING BY CY
CHECKED BY GENIUS
UNIT / mm SCALE 1 : 1
DATE

X.±
.X±
.XX±
.XXX±
ANG ±

照片框

ORDER INFORMATION

HPD-PSWAD08-050-LF
SERIES | LEADFREE
MALE | 50 WAY
SLANT | DIA Ø8.0
W TYPE COVER
SOLDER

煜倫股份有限公司

www.morethanall.com

SIZE A4 PPROJECTION

DESCRIPTION: 1.27mm(.050") Series Shielded Backshell Kits 26 Pos Angled Exit With Spring Latches