

ELECTRICAL CHARACTERISTICS

CONTACT CURRENT RATING: 1 AMPERE
 DIELECTRIC WITHSTANDING VOLTAGE: 500 VAC
 INSULATION RESISTANCE: 1000 MEGOHMS MIN.
 CONTACT RESISTANCE: 25 MILLIOHMS MAX.

MATERIALS

CONTACTS: COPPER ALLOY
 INSULATOR: THERMOPLASTIC 94V-0
 SHELL: COLD ROLLER STEEL

FINISHES

CONTACT: 5 μ" MIN. GOLD ON MATING END;
 ALL UNDERPLATED NICKEL
 SHELL: NICKEL OVER COPPER

ENVIRONMENT

OPERATION TEMPERATURE: -55°C TO + 85°C
 COMPATIBLE CABLE: AWG #28

RoHS Compliant

TOLERANCES ARE



煜倫股份有限公司

www.morethanall.com

DRAWING BY CY

CHECKED BY GENIUS

UNIT / mm SCALE 1 : 1

DATE

SIZE A4

X. ±
 .X ± 0.20
 .XX ± 0.10
 .XXX ±
 ANG ±

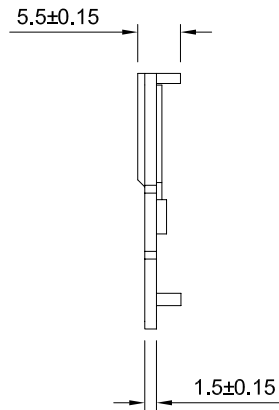
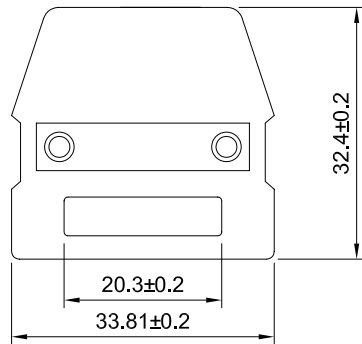
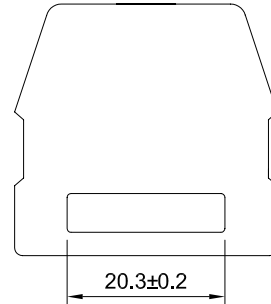
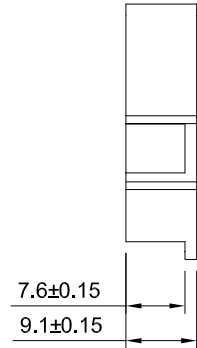
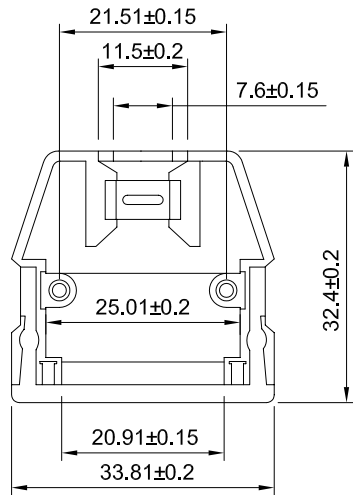
PJECTION

照片框

ORDER INFORMATION

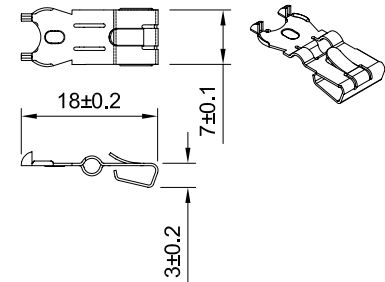
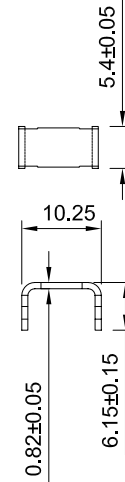
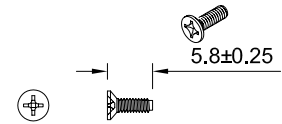
HPD-PIW-026-LF
 SERIES | | | LEADFREE
 | | | 26 WAY
 | | | W TYPE COVER
 | | | IDC
 | | | MALE

DESCRIPTION: 1.27mm Cable Plug



MATERIALS

BACKSHELL: ZINC ALLOY
 FINISHES: ZINC ALLOY, PLATED NICKEL
 OVER COPPER



REFERRAL TORQUE = 2 kgf-cm ~ 2.5 kgf-cm

RoHS Compliant

TOLERANCES ARE

MORETHANALL
 PCB CONNECTORS
 Cable ASSEMBLIES

煜倫股份有限公司

www.morethanall.com

DRAWING BY CY

CHECKED BY GENIUS

UNIT / mm

SCALE 1 : 1

DATE

SIZE A4

X, ±
 .X ± 0.20
 .XX ± 0.10
 .XXX ±
 ANG ±

PJECTION

照片框

ORDER INFORMATION

HPD-PIW-026-LF
 SERIES | LEADFREE
 | 26 WAY
 | W TYPE COVER
 | IDC
 | MALE

DESCRIPTION: .050 Series Backshell