

FEATURES:

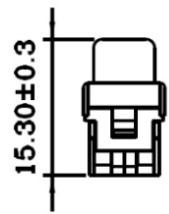
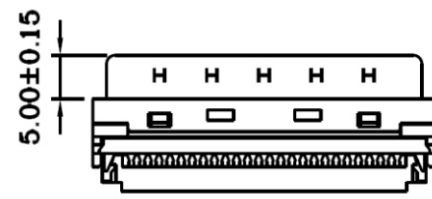
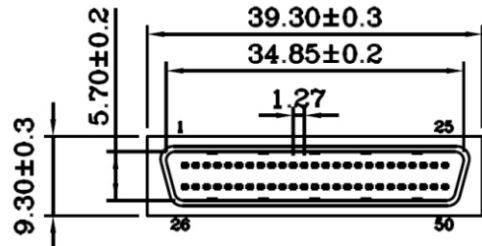
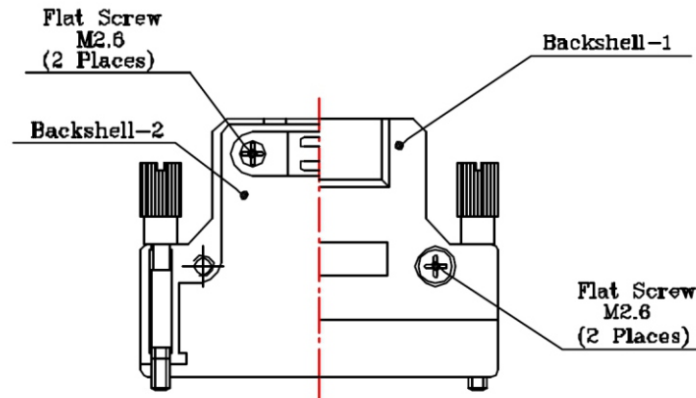
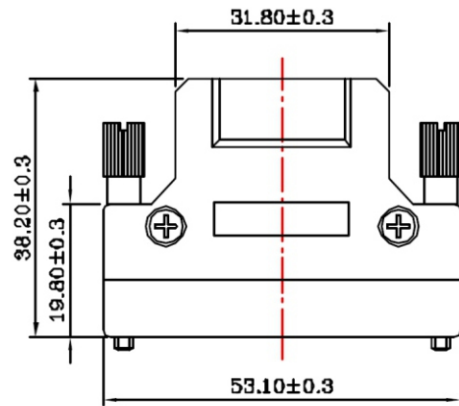
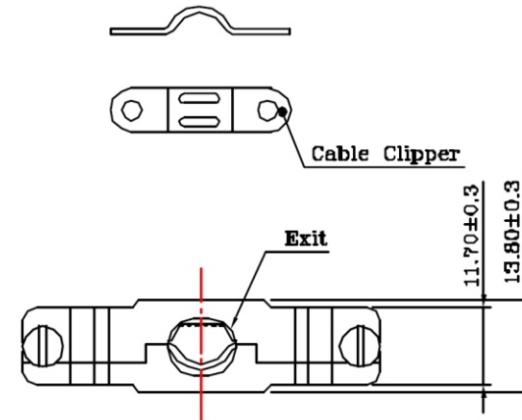
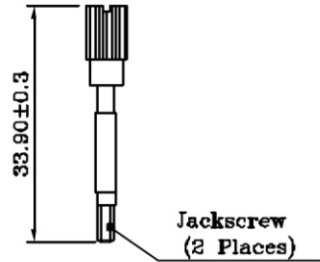
- Half pitch 1.27mm(.050") series
- D-SUB Male connector solder type for cable
- Assembly hood: with ABS plastic (steel inner shell) or Die-Cast metal
- Fully EMI/RFI shielded

MATERIALS:

- **Housing:** Thermoplastic P.B.T UL94V-0 black
- **Contacts:** Phosphor bronze mating end selective gold plated
- **Front Shell:** Steel nickel plated over copper

ELECTRICAL:

- **Current Rating:** 1 Amp
- **Insulation Resistance:** 500MΩ/Min
- **Withstanding Voltage:** AC 500V/Min
- **Contact Resistance:** 35mΩ MAX
- **Temperature Range:** -55°C ~ +105°C



RoHS Compliant

TOLERANCES ARE

MORETHANALL
PCB CONNECTORS
Cable ASSEMBLIES

DRAWING BY CY

X, ±

CHECKED BY GENIUS

.X ±

UNIT / mm

SCALE 1 : 1

.XX ±

DATE

.XXX ±

ANG ±

SIZE A4

PJECTION

照片框

ORDER INFORMATION

HPD-PFM-050-LF
SERIES | LEADFREE
50 WAY
METAL COVER
IDC
MALE

煜倫股份有限公司

www.morethanall.com

DESCRIPTION: