

• MATERIALS:(RoHS Compliant)

Housing And Cover: Plastic Thermoplastic
P.B.T UL94V-0 Black

Contacts: Phosphor Bronze Gold
Selective Plated

Front Shell: Steel Nickel Plated
Over Copper

Bracket: Steel Nickel Plated
Over Copper

Boardlock: Brass Tin Plated
Over Copper

• ELECTRICAL CHARACTERISTICS:

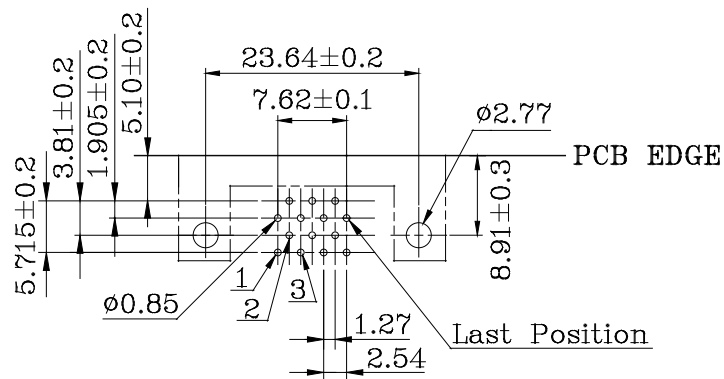
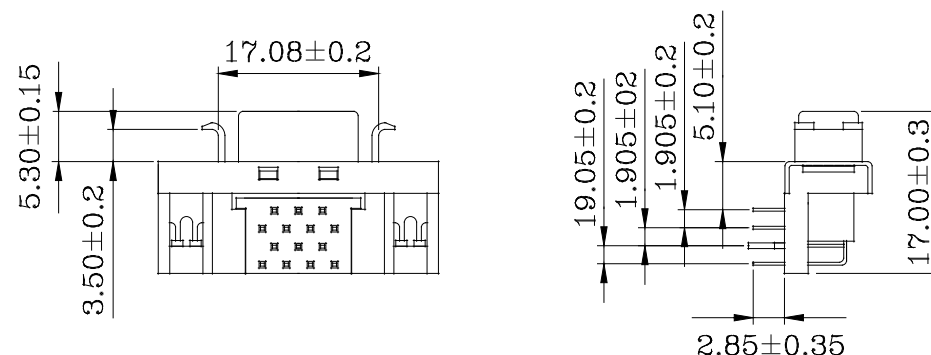
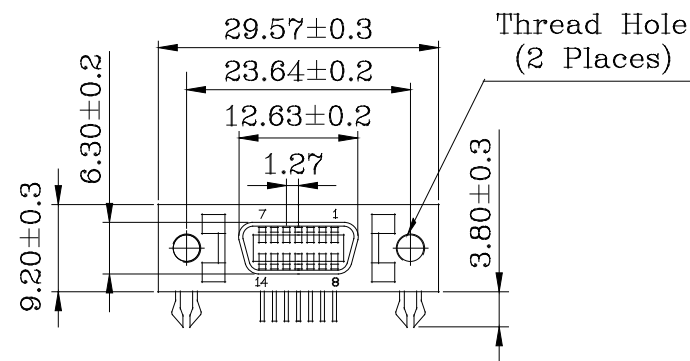
Contact Current Rating: 1 Amp

Dielectric Withstanding Voltage: 500V AC

Insulation Resistance: >500MΩ/Min

Contact Resistance: 35mΩ/Max

Operation Temperature: -55°C ~ +105°C



PCB Layout

RoHS Compliant

TOLERANCES ARE

MORETHANALL
PCB CONNECTORS
Cable ASSEMBLIES

DRAWING BY CY

X.±

CHECKED BY GENIUS

.X±

UNIT / mm

SCALE 1 : 1

.XX±

DATE

.XXX±

ANG ±

照片框

ORDER INFORMATION

HPC-SRL-014-LF
SERIES | LEADFREE
14 WAY
LOCK
DIP 90°
FEMALE

煜倫股份有限公司

www.morethanall.com

SIZE A4

PPOJECTION

DESCRIPTION: 1.27mm (.050") Ribbon 14Pos Receptacles Headers Right-Angle Mount Type