

• **MATERIALS:(RoHS Compliant)**

Housing And Cover: Plastic Thermoplastic  
P.B.T UL94V-0 Black

Contacts: Phosphor Bronze Gold  
Selective Plated

Front Shell: Steel Nickel Plated  
Over Copper

• **ELECTRICAL CHARACTERISTICS:**

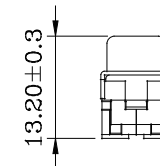
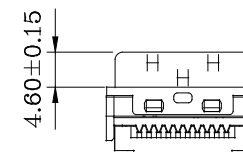
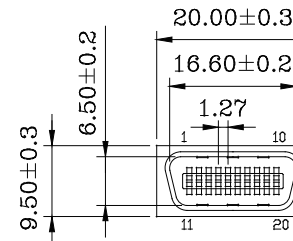
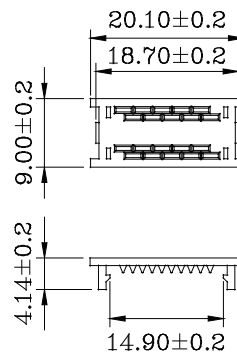
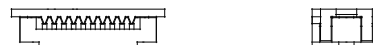
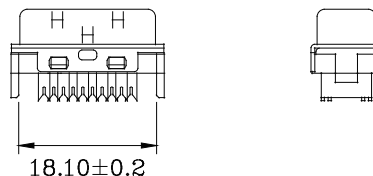
Contact Current Rating: 1 Amp

Dielectric Withstanding Voltage: 500V AC

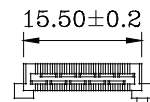
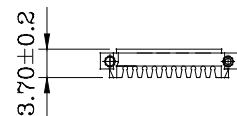
Insulation Resistance: >500MΩ/Min

Contact Resistance: 35mΩ/Max

Operation Temperature: -55°C ~ +105°C



Termination Cover  
(1 Places)



Wire Holder  
(2 Places)

**RoHS Compliant**

TOLERANCES ARE

**MORETHANALL**  
PCB CONNECTORS  
Cable ASSEMBLIES

煜倫股份有限公司

www.morethanall.com

DRAWING BY CY

CHECKED BY GENIUS

UNIT/mm SCALE 1:1

DATE

SIZE A4

X, ±  
.X ±  
.XX ±  
.XXX ±  
ANG ±

PJECTION

照片框

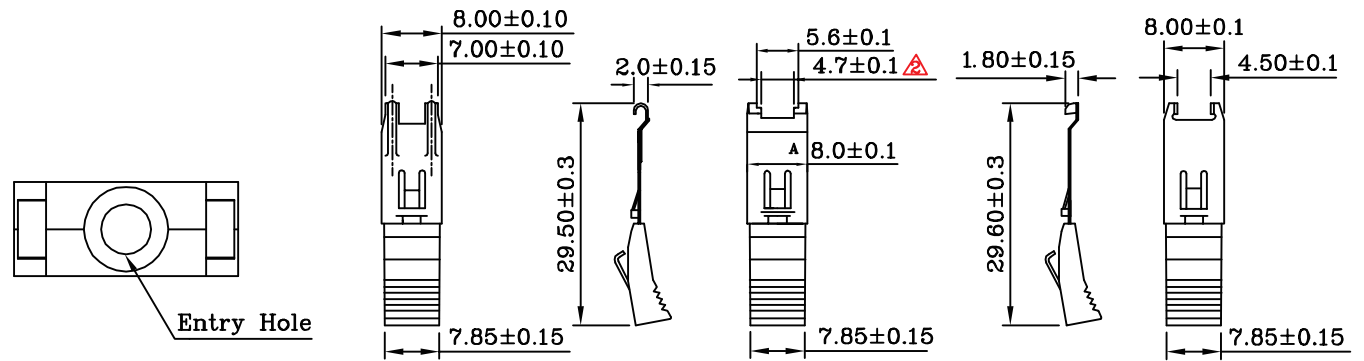
**ORDER INFORMATION**

HPC-PFQ-020-LF  
SERIES | LEADFREE  
20 WAY  
Q TYPE COVER  
IDC  
MALE

DESCRIPTION: 1.27mm (.050") Ribbon 20Pos  
Cable Plug Connector I.D.C Assembly Type

• MATERIALS:(RoHS Compliant)

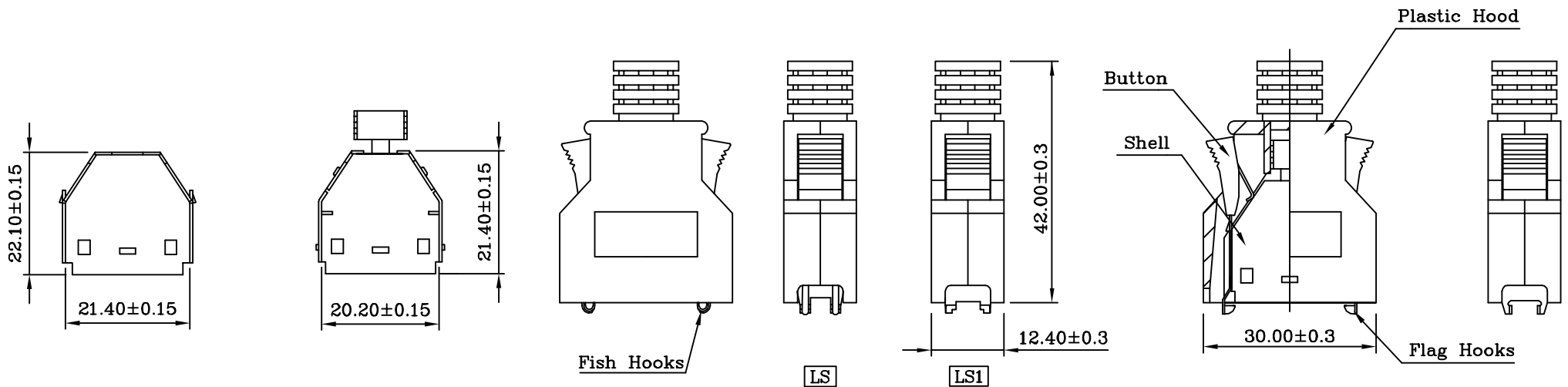
Hood: Plastic Thermoplastic ABS UL 94V-0  
 Latch Cover: Plastic Thermoplastic ABS UL 94V-0  
 Latch: Stainless Steel  
 Inner Shell: Steel Nickel Plated Over Copper



LS: Fish Hooks

LS1: Fish Hooks

SS: Flag Hooks



**RoHS Compliant**

TOLERANCES ARE

**MORETHANALL**  
 PCB CONNECTORS  
 Cable ASSEMBLIES

DRAWING BY CY  
 CHECKED BY GENIUS  
 UNIT/mm SCALE 1:1  
 DATE

X, ±  
 .X ±  
 .XX ±  
 .XXX ±  
 ANG ±

煜倫股份有限公司

www.morethanall.com

SIZE A4 PROJECTION

照片框

ORDER INFORMATION

HPC-PFQ-020-LF  
 SERIES LEADFREE  
 20 WAY  
 Q TYPE COVER  
 IDC  
 MALE

DESCRIPTION: 1.27mm(.050") Series 20Pos Plastic Hood With Spring Latches