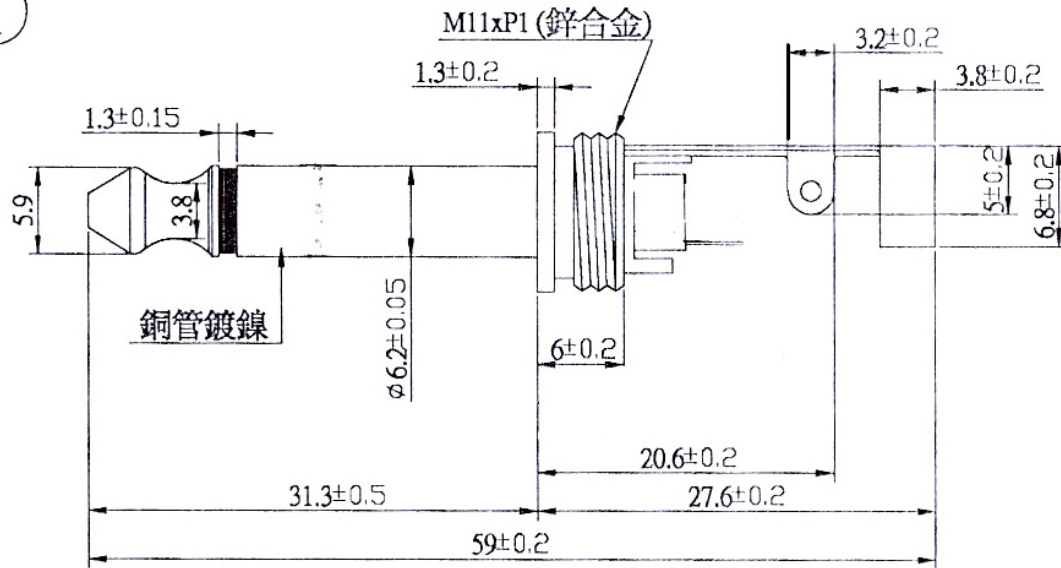
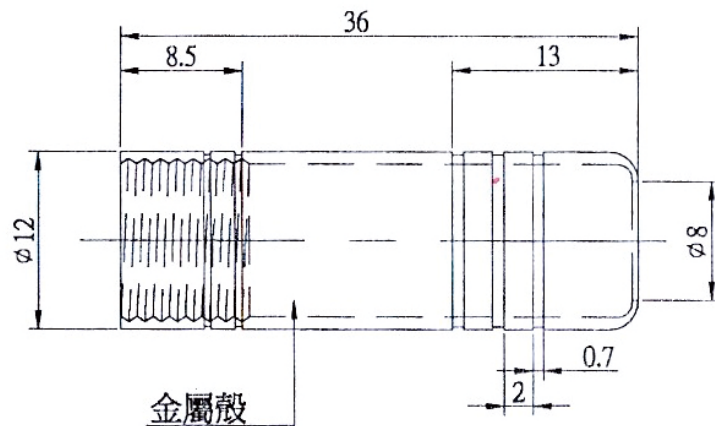


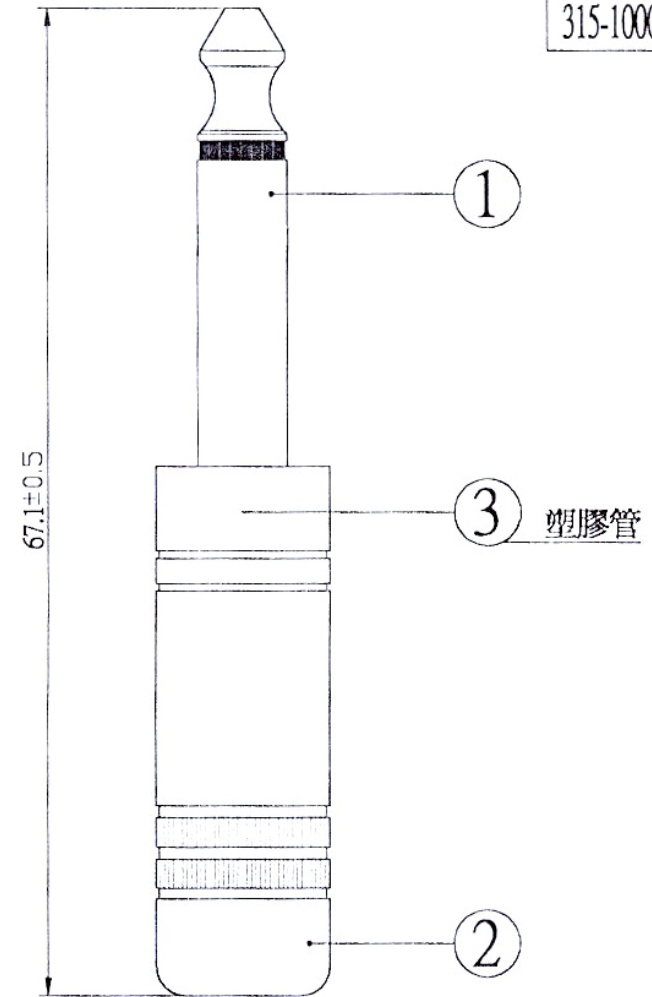
①



②



0.5-5M M=±0.2
 5-30M M=±0.4
 30-120M M=±0.6
 120-315M M=±1.0
 315-10000M M=±1.6



RoHS Compliant

TOLERANCES ARE

MORETHANALL
 PCB CONNECTORS
 Cable ASSEMBLIES

DRAWING BY CY

CHECKED BY GENIUS

UNIT / mm

SCALE 1 : 1

DATE

SIZE A4

X, ±
 .X ±
 .XX ±
 .XXX ±
 ANG ±

PJECTION

照片框

ORDER INFORMATION

HP-A-02MS-LF
 SERIES | LEADFREE
 | SHORT
 | METAL
 | 02 WAY
 ASSEMBLY

煜倫股份有限公司

www.morethanall.com

DESCRIPTION: 6.35 MONO PLUG