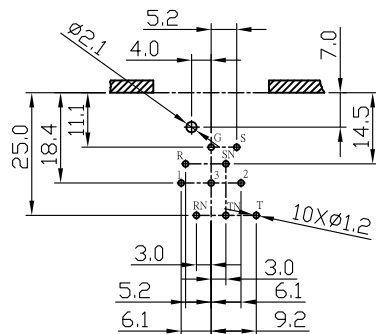
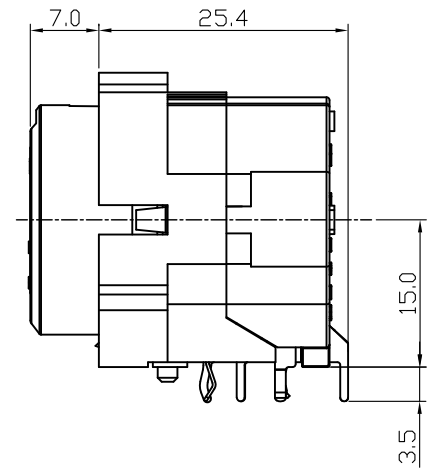
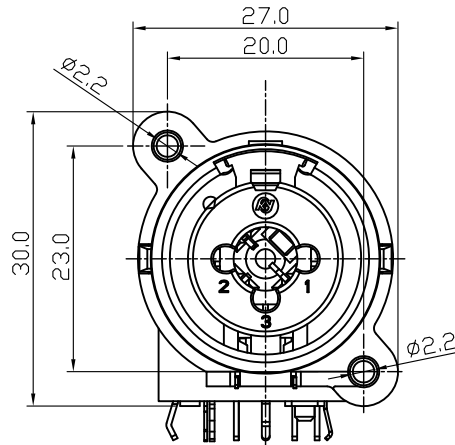
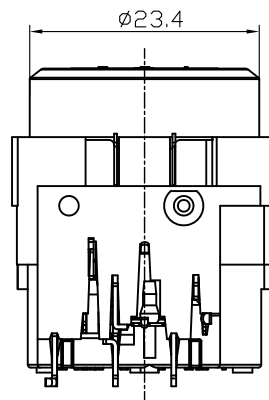


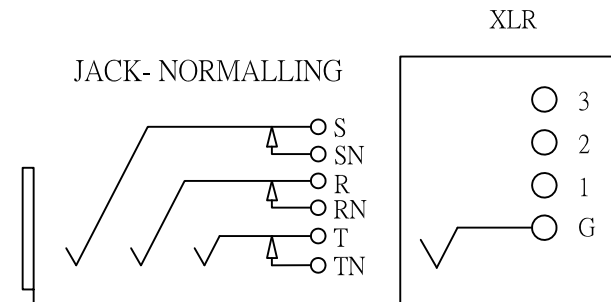
Panel cut out (front side)



PCB-LAYOUT (component side)
(SCALE 3:1)



NORMALLING-SCHEMES



11	GROUND	1	P.B.S.	Ag
10	SPRING	1	SUS	
9	XLR CONTACT	3	P.B.S.	Au
8	RING SHUNT	1	BRASS	Au
7	TIP SHUNT	1	BRASS	Au
6	SLEEVE SHUNT	1	BRASS	Au
5	RING	1	P.B.S.	Ag
4	TIP	1	P.B.S.	Ag
3	SLEEVE	1	P.B.S.	Ag
2	BACK COVER	1	NYLON	BLACK
1	BODY	1	NYLON	BLACK
NO	PART NAME	Q'TA	MATERIAL	PLATING&COLOR

RoHS Compliant

TOLERANCES ARE

MORETHANALL
PCB CONNECTORS
Cable ASSEMBLIES

煜倫股份有限公司

www.morethanall.com

DRAWING BY CY

CHECKED BY GENIUS

UNIT / mm SCALE 1 : 1

DATE

SIZE A4

X. ± 0.50

.X ± 0.30

.XX ± 0.15

.XXX ± 0.10

ANG ± 5°

PJECTION

照片框

ORDER INFORMATION

HNXLX-FRX-06C03-LF

SERIES

LEADFREE

6P3C

NON LATCH

DIP 90°

FEMALE

DESCRIPTION: 6.4MM PHONE & XLR JACK