

Material:

Housing: 30% Glass Filled PBT UL94V-0.

Contacts: Phosphor Bronze.

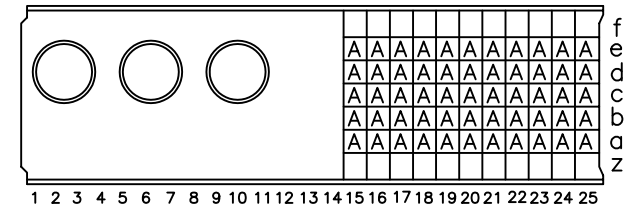
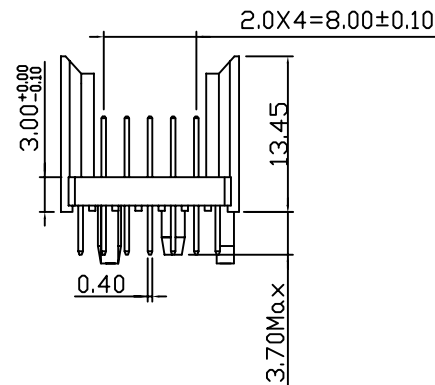
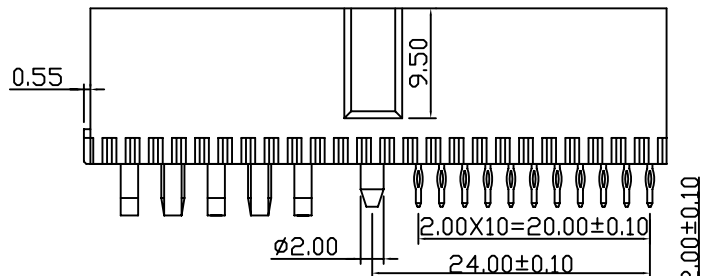
Electrical Characteristics:

Insulator Resistance: 1000MΩ min.at DC 500V.

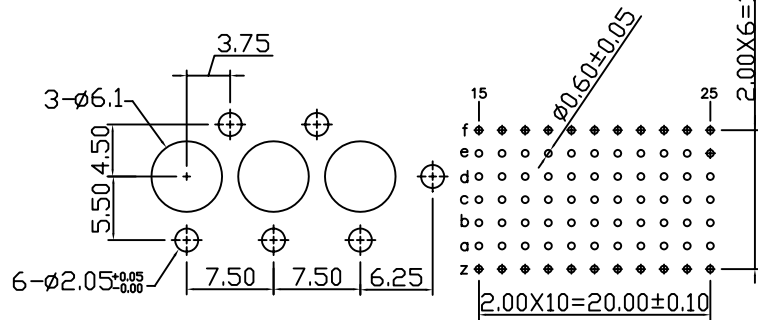
Contact Resistance: 20m Ω max.at DC 100mA

Operating Temperature: -55°C ~ +125°C.

***RoHS Compliant**

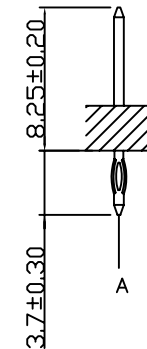


CONTACT LAYOUT



P.C. Board Layout

(Top View)



RoHS Compliant

TOLERANCES ARE

MORETHANALL
PCB CONNECTORS
Cable ASSEMBLIES

DRAWING BY CY

X, ±

CHECKED BY GENIUS

.X ±

UNIT / mm

SCALE 1 : 1

.XXX ±

DATE

ANG ±

煜倫股份有限公司

www.morethanall.com

SIZE A4

P PROJECTION

照片框

ORDER INFORMATION

HM7AB-PP03A-055-LF

SERIES | | | LEADFREE
| | | 55 WAY
| | | A TYPE
| | | 3.7mm
| | | PRESS FIT
| | | MALE

DESCRIPTION: 2.00 Hard Metric Connectors Male Type A