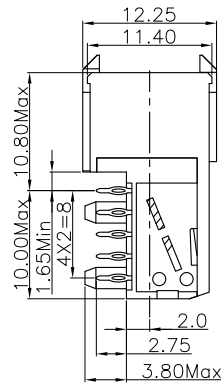
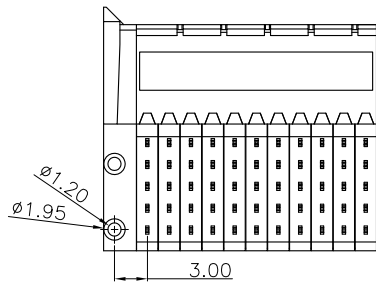


Material:

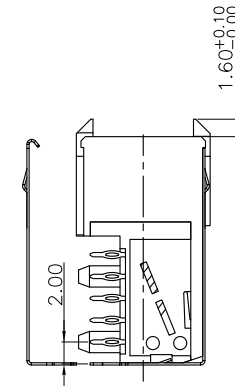
Housing: 30% Glass Filled PBT UL94V-0.
 Contacts: Phosphor Bronze.

Electrical Characteristics:

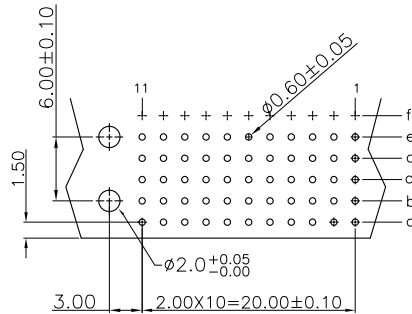
Current Rating: 1 AMP.
 Dielectric Withstanding Voltage: AC 750V For 1 minute.
 Insulator Resistance: 10000MΩ min. at DC 500V.
 Contact Resistance: 20mΩ max. at DC 100mA.
 Operating Temperature: -55°C ~ +105°C .



None Shielded



With Top Body Shielded
 and Bottom Shielded



P.C. Board Layout
 (Top View)

RoHS Compliant

TOLERANCES ARE

MORETHANALL
 PCB CONNECTORS
 Cable ASSEMBLIES

DRAWING BY CY
 CHECKED BY GENIUS
 UNIT / mm SCALE 1 : 1
 DATE

X. ±
 .X ±
 .XX ±
 .XXX ±
 ANG ±

照片框

ORDER INFORMATION

HM7C-SQA-055-LF

SERIES | LEADFREE
 | 55 WAY
 | WITH TOP BODY SHIELDED
 | 90° PRESS FIT AND BOTTOM SHIELDED
 FEMALE

煜倫股份有限公司

www.morethanall.com

SIZE A4 PPROJECTION

DESCRIPTION: Hard Metric Connector Female Right Angle Type C