

Material:

Housing: 30% Glass Filled PBT UL94V-0.

Contacts: Phosphor Bronze.

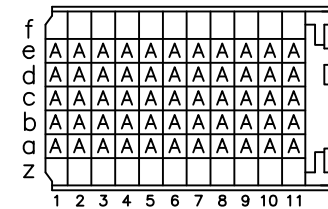
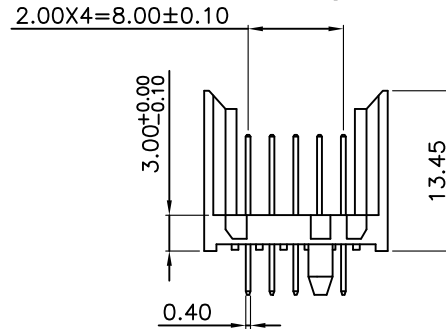
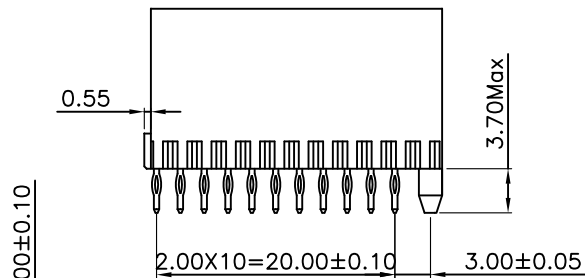
Electrical Characteristics:

Insulator Resistance: 100MΩ min. at DC 500V.

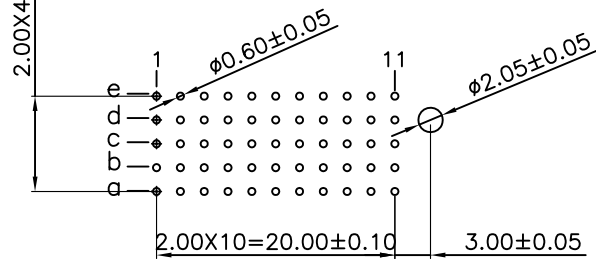
Contact Resistance: 20mΩ max. at DC 100mA.

Operating Temperature: -55°C~+125°C .

***RoHS Compliant**

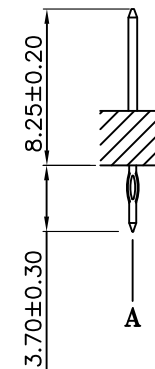


CONTACT LAYOUT



P.C. Board Layout

(Top View)



RoHS Compliant

TOLERANCES ARE

MORETHANALL
PCB CONNECTORS
Cable ASSEMBLIES

DRAWING BY CY

CHECKED BY GENIUS

UNIT / mm

SCALE 1 : 1

DATE

SIZE A4

X. ±

.X ±

.XX ±

.XXX ±

ANG ±

PJECTION

照片框

ORDER INFORMATION

HM7C-PP03A-055-LF

SERIES | | | | LEADFREE
| | | | 55 WAY
| | | | A TYPE
| | | | 3.7mm
| | | | PRESS FIT
MALE

煜倫股份有限公司

www.morethanall.com

DESCRIPTION: