

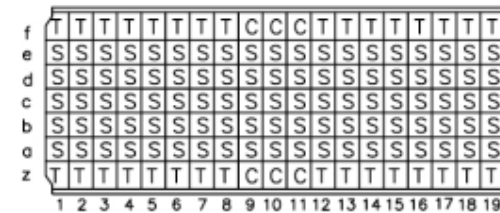
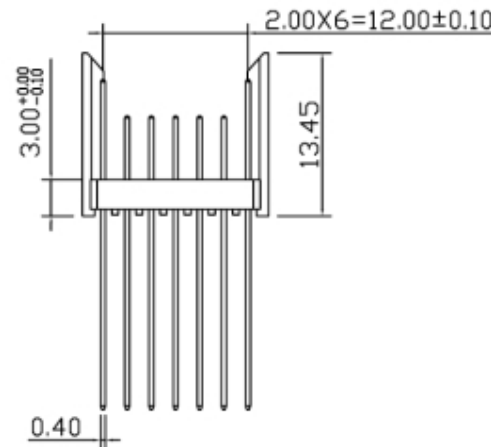
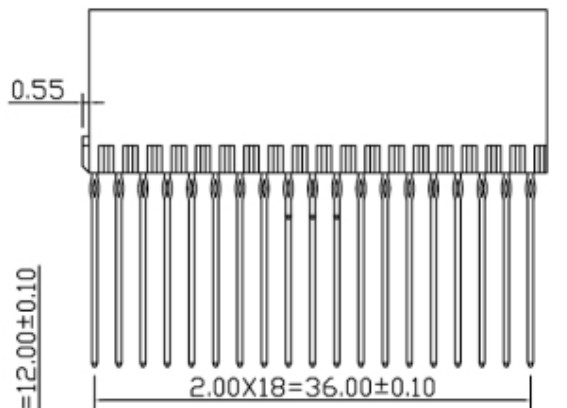
Material:

Housing: 30% Glass Filled PBT UL94V-0.
Contacts: Phosphor Bronze.

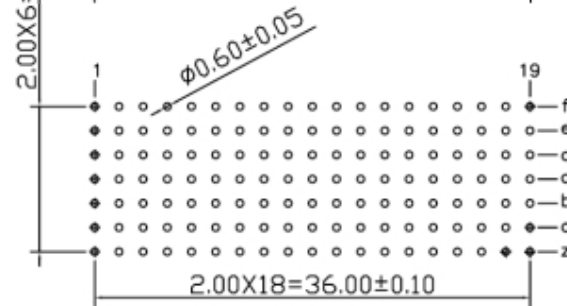
Electrical Characteristics:

Insulator Resistance: 1000MΩ min.at DC 500V.
Contact Resistance: 20m Ω max.at DC 100mA
Operating Temperature: -55°C ~ +125°C.

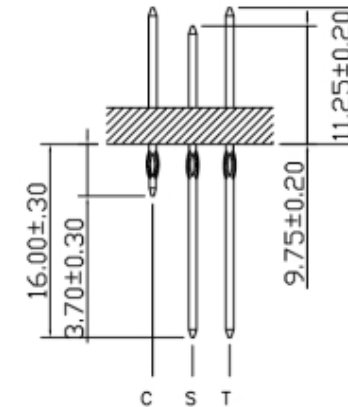
***RoHS Compliant**



CONTACT LAYOUT



P.C. Board Layout
(Top View)



RoHS Compliant

TOLERANCES ARE



DRAWING BY CY

CHECKED BY GENIUS

UNIT / mm

SCALE 1 : 1

DATE

SIZE A4

X, ±
.X ±
.XX ±
.XXX ±
ANG ±

P PROJECTION

照片框

ORDER INFORMATION

HM7B-PP16CST-133-LF

SERIES | | | | LEADFREE
| | | | 133 WAY
| | | | CST TYPE
| | | | 16.0mm
| | | | PRESS FIT
MALE

DESCRIPTION:

煜倫股份有限公司

www.morethanall.com