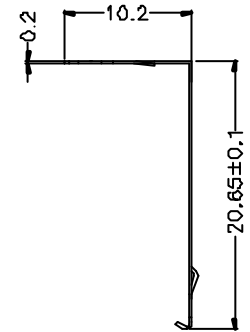
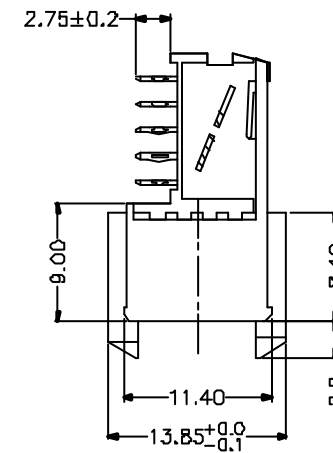
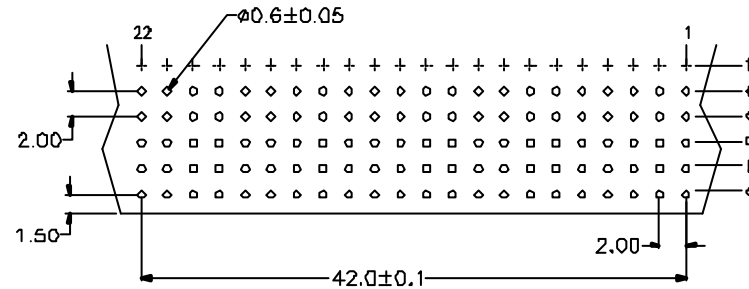
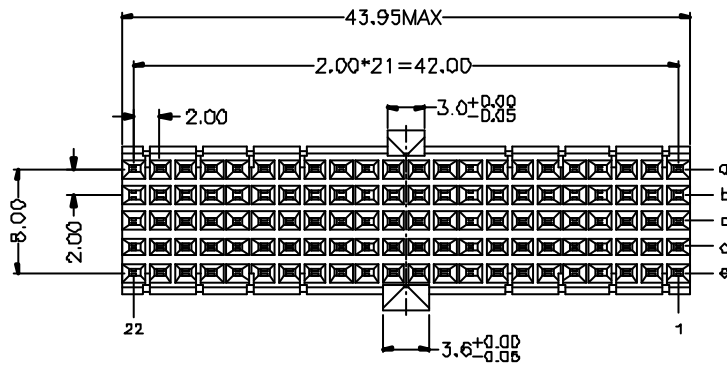


Bottom Shielded



Top Shielded



P.C. Board Layout
(Top View)

RoHS Compliant

TOLERANCES ARE

MORETHANALL
PCB CONNECTORS
Cable ASSEMBLIES

DRAWING BY CY

X. ±

CHECKED BY GENIUS

.X ±

UNIT / mm SCALE 1 : 1

.XX ±

DATE

.XXX ±

SIZE A4 PROJECTION



照片框

ORDER INFORMATION

HM7AB-SQA-110-LF

SERIES

LEADFREE

110 WAY

WITH TOP BODY SHIELDED

90° PRESS FIT

FEMALE

AND BOTTOM SHIELDED

DESCRIPTION: 2.00 Hard Metric Connector Female Right Angle

煜倫股份有限公司

www.morethanall.com