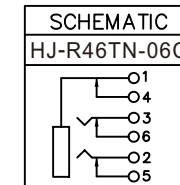


T:1.6 Dimensions of PC board holes

Tolerance : ±0.05(Printed-top view)

UNLESS OTHERWISE SPECIFIED, TOLERANCE ON DECIMAL: ±0.3



LTR	PART NAME	QTY	MATERIAL	REMARK
7	CONTACT FOOT	1	C2680	Ag PLATED
6	SPRING	1	C5191	Sn PLATED
5	CONTACT FOOT	1	C2680	Ag PLATED
4	SPRING	1	C5191	Sn PLATED
3	CONTACT FOOT	1	C2680	Ag PLATED
2	SPRING	1	C5191	Sn PLATED
1	HOUSING	1	PBT 4815	UL-94V0(BLACK)

RoHS Compliant

TOLERANCES ARE

MORETHANALL
PCB CONNECTORS
Cable ASSEMBLIES

煜倫股份有限公司

www.morethanall.com

DRAWING BY CY

CHECKED BY GENIUS

UNIT / mm SCALE 1 : 1

DATE

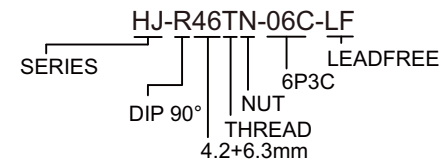
SIZE A4

P PROJECTION

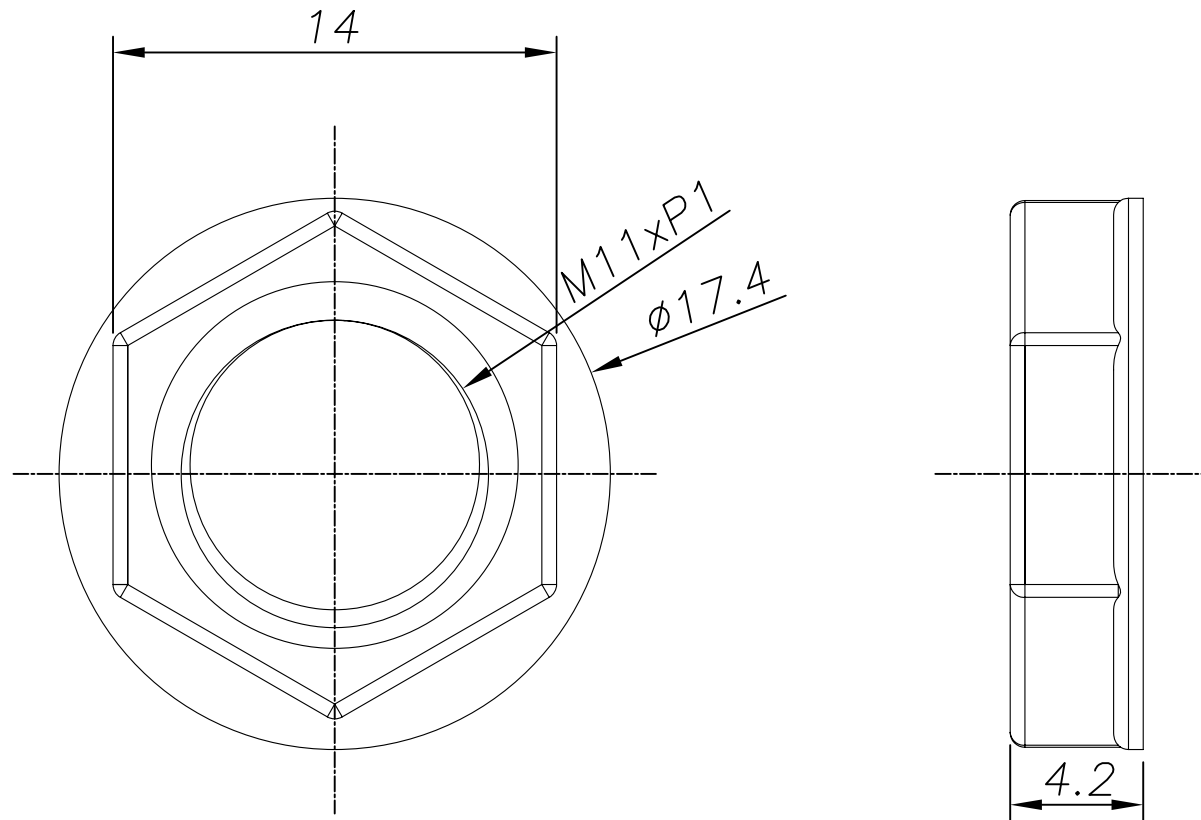
X, ±
.X ±
.XX ±
.XXX ±
ANG ±

照片框

ORDER INFORMATION



DESCRIPTION: PHONE JACK



1	SLEEVE NUT	1	PBT 4815	UL-94V0(BLACK)
LTR	PART NAME	QTY	MATERIAL	REMARK

UNLESS OTHERWISE SPECIFIED, TOLERANCE ON DECIMAL: ±0.3

RoHS Compliant

TOLERANCES ARE

MORETHANALL
PCB CONNECTORS
Cable ASSEMBLIES

煜倫股份有限公司

www.morethanall.com

DRAWING BY CY

CHECKED BY GENIUS

UNIT / mm SCALE 1:1

DATE

SIZE A4

X, ±

.X ±

.XX ±

.XXX ±

ANG ±

P PROJECTION

照片框

ORDER INFORMATION

HJ-R46TN-06C-LF
SERIES | | | | LEADFREE
DIP 90° | | | | NUT
| | | | | THREAD
| | | | | 4.2+6.3mm

DESCRIPTION: PHONE JACK