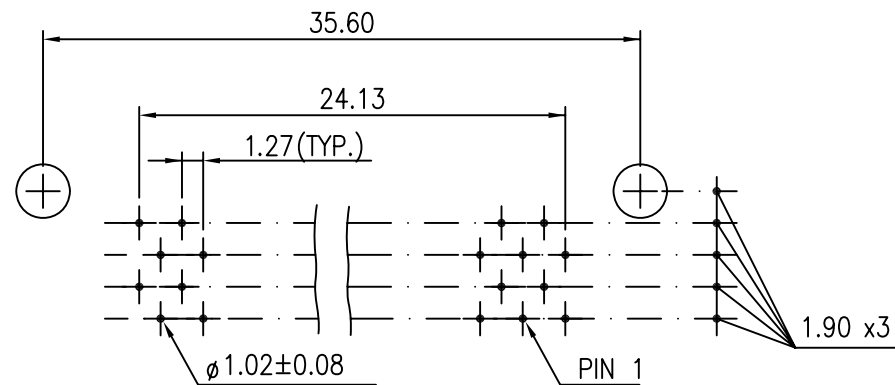
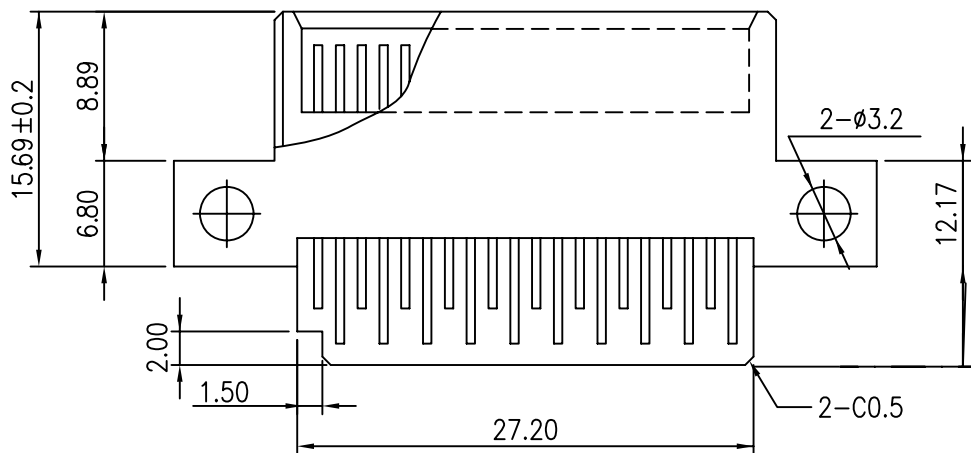


SECTION A-A

DETAIL B
SCALE 10:1



RoHS Compliant

TOLERANCES ARE

MORETHANALL
PCB CONNECTORS
Cable ASSEMBLIES

DRAWING BY CY
CHECKED BY GENIUS
UNIT / mm SCALE 1:1
DATE

X, ±
.X ±
.XX ±
.XXX ±
ANG ±

照片框

ORDER INFORMATION

HE-REC10-040-LF
SERIES | LEADFREE
40 WAY
FOR CARD 1.0mmt
EAR
DIP 90°

煜倫股份有限公司

www.morethanall.com

SIZE A4 PROJECTION

DESCRIPTION: