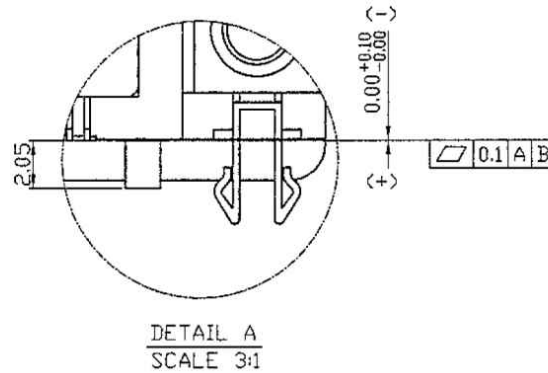
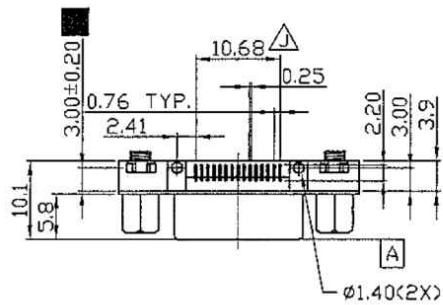
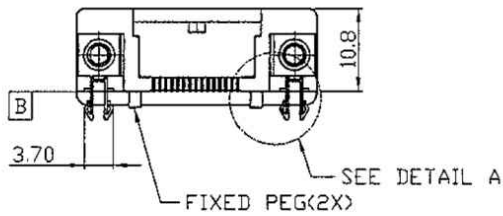


NOTES:
 1.MATERIAL:
 HOUSING:NYLON 6T,30% GLASS FILLED,UL94-V0
 COLOR:BLUE
 TERMINAL:0.25mm THICKNESS,PHOSPHOR BRONZE C5191H
 METAL SHELL:0.40mm THICKNESS,SPCC
 BOARD LOCK & NUT & SCREW:BRASS
 2.PLATING:
 TERMINAL:
 CONTACT AREA:SELECTIVE GOLD(Au) PLATING
 SOLDER TAIL:N/A-SERIES:TIN-LEAD(Sn-Pb) ALLOY,THICKNESS=75 MICROINCH MINIMUM
 ROHS-SERIES:TIN(Sn),THICKNESS=100 MICROINCH MINIMUM
 UNDER PLATE:NICKEL(NI),THICKNESS=50 MICROINCH MIN./1.27 MICROMETER MIN.
 METAL SHELL:
 N/A-SERIES:TIN(Sn),THICKNESS=80 MICROINCH MIN./2.032 MICROMETER MIN.
 NICKEL(NI),THICKNESS=50 MICROINCH MIN./1.27 MICROMETER MIN.
 UNDER PLATE:COPPER(Cu),THICKNESS=50 MICROINCH MIN./1.27 MICROMETER MIN.
 ROHS-SERIES:NICKEL(NI),THICKNESS=80 MICROINCH MIN./2.032 MICROMETER MIN.
 UNDER PLATE:COPPER(Cu),THICKNESS=40 MICROINCH MIN./1.016 MICROMETER MIN.
 BOARD LOCK:TIN(Sn),THICKNESS=50 MICROINCH MIN./1.27 MICROMETER MIN.
 NUT & SCREW:NICKEL(NI),THICKNESS=50 MICROINCH MIN./1.27 MICROMETER MIN.
 3.RECOMMENDED PCB THICKNESS:1.60+/-0.05mm

PIN NUMBER:
 6 11 1 7 12 2 8 13 3 9 14 4 10 15 5
RECOMMENDED PCB LAYOUT



RoHS Compliant

TOLERANCES ARE

MORETHANALL
 PCB CONNECTORS
 Cable ASSEMBLIES

DRAWING BY CY

CHECKED BY GENIUS

UNIT / mm

SCALE 1 : 1

DATE

SIZE A4

PJECTION

X, ±
 .X ± 0.25
 .XX ± 0.15
 .XXX ± 0.08
 ANG ±

照片框

ORDER INFORMATION

HDW-SNZ2JBL-15-LF
 SERIES | | | LEADFREE
 | | | 15 WAY
 | | | BLUE
 FEMALE | | JACKSCREW
 | | NUT
 CLIP

DESCRIPTION: D SUB RIGHT ANGLE SURFACE-MOUNT CONNECTORS
 DSMTI-SERIES LOW PROFILE 15 POST FEMALE

煜倫股份有限公司

www.morethanall.com