

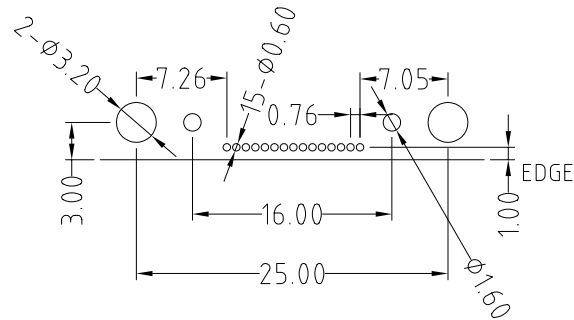
ELECTRICAL CHARACTERISTICS

Contact Current Rating: 1Amperes.
 Dielectric Withstanding Voltage: AC 500V at sea level.
 Insulation Resistance: 1000Megohms Min.
 Contact Resistance: 30Milliohms Max.
 Operation Temperature : -55°C to +105°C.

Material

Contact :Copper Alloy.
 Insulator:PBT.[Select PA6T /LCP /PA9T]
 Shell: SPCC.
 Z-Piece: Copper Alloy.

RECOMMEND PCB LAYOUT



RoHS Compliant

TOLERANCES ARE

MORETHANALL
 PCB CONNECTORS
 Cable ASSEMBLIES

DRAWING BY CY

CHECKED BY GENIUS

UNIT / mm

SCALE 1 : 1

DATE

SIZE A4

X, ±
 .X ± 0.30
 .XX ± 0.25
 .XXX ± 0.15
 ANG ±

P PROJECTION

照片框

ORDER INFORMATION

HDR10-SNZ4-15-LF
 SERIES | CLIP | LEADFREE
 NUT | 15 WAY | FEMALE

DESCRIPTION:

煜倫股份有限公司

www.morethanall.com