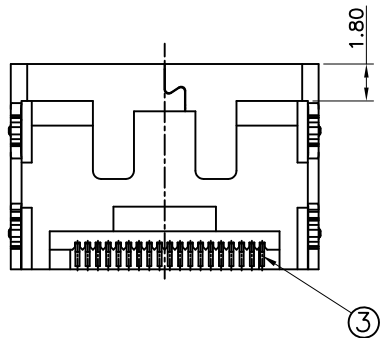
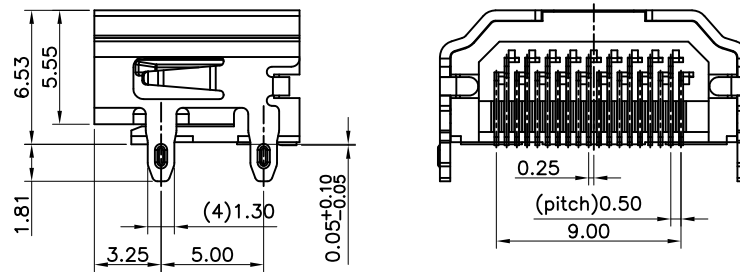
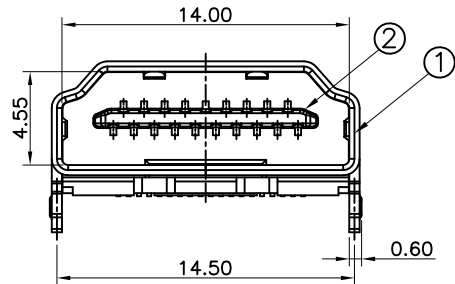
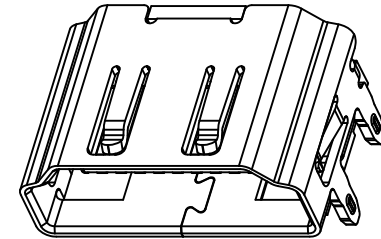


ITEM 項目	PARTS NAME 零件名稱	Q'TY 數量	MATERIAL 材質	FINISH/REMARK 處理/備註
1	SHELL	1	COPPER	Ni:50u ^m
2	HOUSING	1	HIGH TEMP PLASTIC	BLACK
3	CONTACT	19	Phosphor Bronze	Gold:15u ^m ; Tin:150u ^m ; Ni:50u ^m
4	MYLAR	1	Higt Temp.Material	(Amber)



SPECIFICATION

MATERIAL

See drawing

STANDARD DATA

Rating current:0.5A

Applicable wire: AWG#26 Max.

Operating temperature: -10°C ~ +60°C

Storage temperature: -20°C ~ +85°C

ELECTRICAL

Insulator resistance: 1000 Mohms Min. @ 500 VDC

Withstanding voltage: 500 VAC/minute

Contact resistance: 40 mohms Max.

MECHANICAL

Insertion force: 44.1N(4.5Kgf) Max.

Withdrawal force: 9.8~39.2N(1.0~4.0Kgf).

Durability: 10000 cycles Min.

Contact retention force: 2.1N(0.21Kgf) Min.

RoHS Compliant

TOLERANCES ARE

MORETHANALL
PCB CONNECTORS
Cable ASSEMBLIES

煜倫股份有限公司

www.morethanall.com

DRAWING BY CY

X. ± 0.50

CHECKED BY GENIUS

.X ± 0.30

UNIT / mm

SCALE 1 : 1

.XX ± 0.20

DATE

.XXX ±

ANG ± 5°

SIZE A4

PJECTION

照片框

ORDER INFORMATION

HDMI-SWRVM2CR-19-LF

SERIES | | | | | LEADFREE

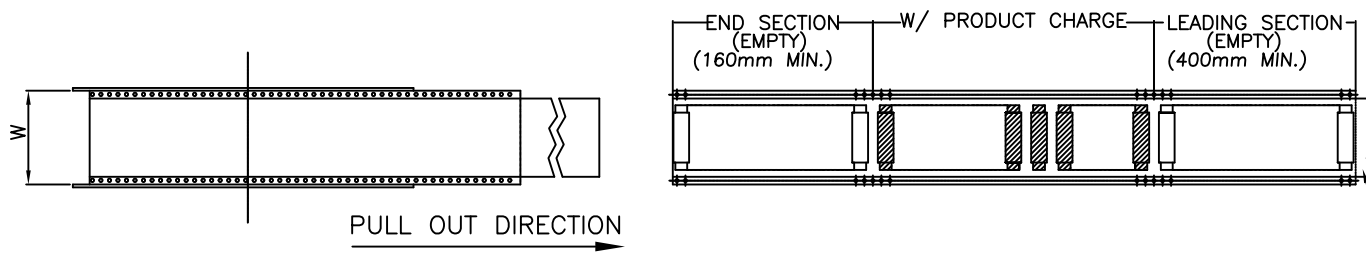
FEMALE | | | | | REEL

90°SMT | | | | | MYLAR

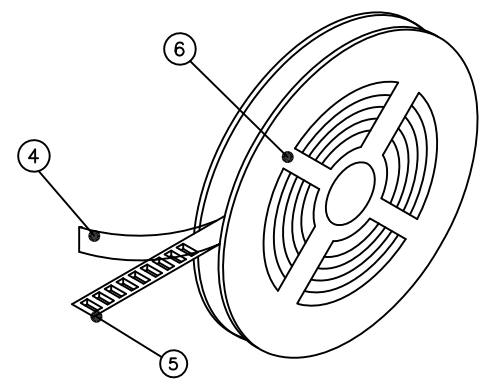
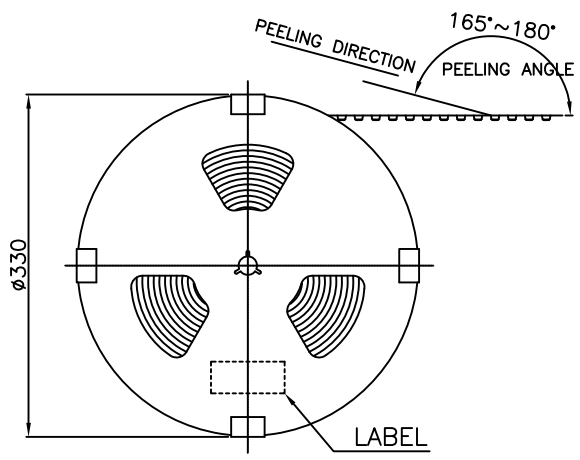
| | | | | METAL FOOT

REVERSED

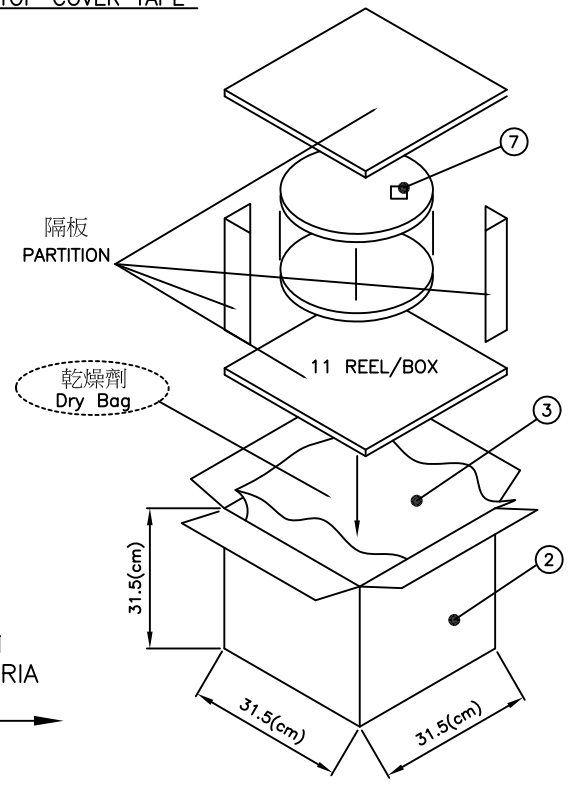
DESCRIPTION: HDMI connector



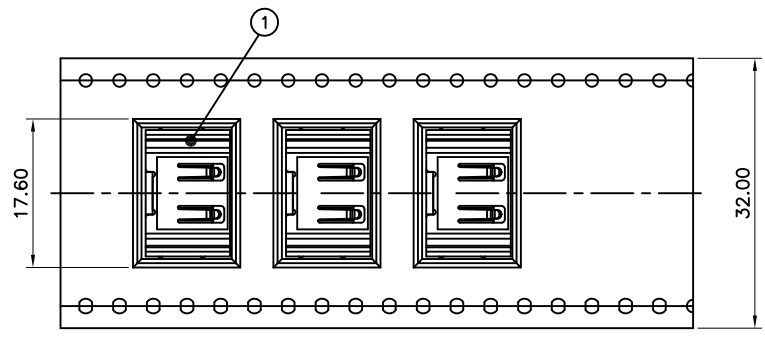
ITEM 項目	PARTS NAME 零件名稱	FINISH/REMARK 處理/備註
1	I/O CONNECTOR	3300 PCS/BOX
2	BOX	11 REEL/BOX
3	WATERPROOF BAG	1 PCS
4	REEL	300 PCS/REEL
5	COVER TAPE	Wide=32mm
6	CARRIER TAPE	--
7	LABEL	批號標籤



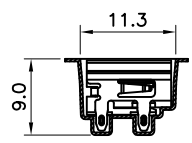
TOP COVER TAPE



收料方向
CATHETER MATERIAL
DIRECTION



客戶放料方向
INPUT MATERIA
DIRECTION



- NOTES
 1.MATERIAL: PS (Color: 透明)
 2.DEFORMATION(變形)&DAMAGE(損壞): NA.(不可)
 3.All dimensions meet EIA-481-C requirements.

MORETHANALL
 PCB CONNECTORS
 Cable ASSEMBLIES
 煜倫股份有限公司
 www.morethanall.com

RoHS Compliant		TOLERANCES ARE
DRAWING BY CY		X. ± 0.50
CHECKED BY GENIUS		.X ± 0.30
UNIT / mm	SCALE 1 : 1	.XXX ±
DATE		ANG ± 5°
SIZE A4	PJECTION	



ORDER INFORMATION
 HDMI-SWRVM2CR-19-LF
 SERIES | | | | | LEADFREE
 FEMALE | | | | | 19 WAY
 90°SMT | | | | | REEL
 | | | | | MYLAR
 | | | | | METAL FOOT
 | | | | | REVERSED

DESCRIPTION: