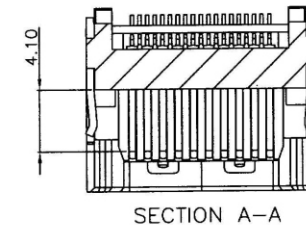
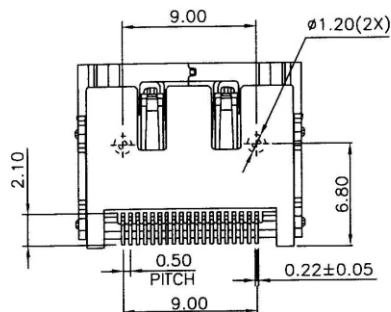
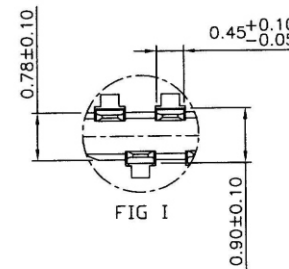
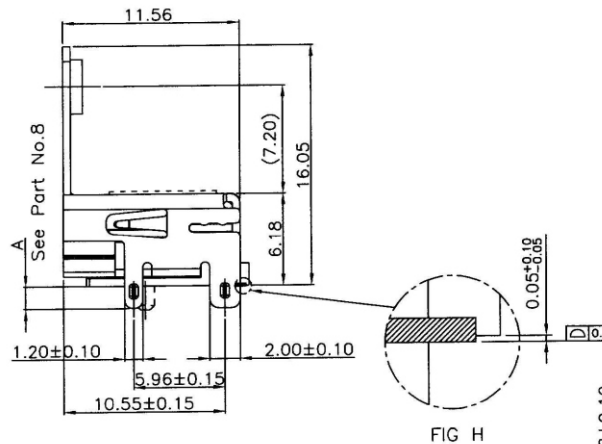
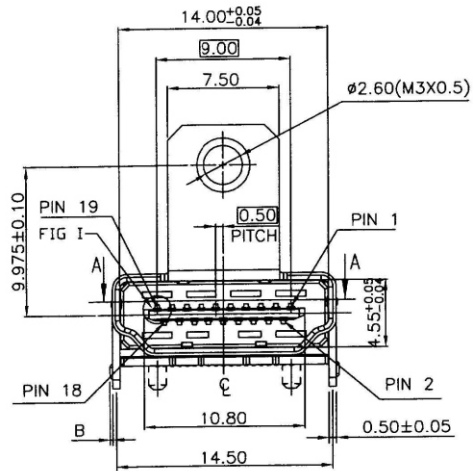


NOTES:
 MATERIALS:
 Insulator: Thermal Plastic UL94V-0
 Contacts: Copper Alloy
 Shell: Copper Alloy or Shell
 CONTACT PLATING
 Underplate: 50u"~100u" Nickel
 Contact Area: 1u"~30u" Selective Gold
 Solder Tails Area: 100u"~200u" Tin/Lead Free(Brighten Tin/Matte Tin)
 SHELL PLATING
 50u" Nickel Plated or Copper/50u" Nickel Plated



RoHS Compliant

TOLERANCES ARE

MORETHANALL
 PCB CONNECTORS
 Cable ASSEMBLIES

DRAWING BY CY
 CHECKED BY GENIUS
 UNIT / mm SCALE 1 : 1
 DATE

X, ±
 .X ± 0.30
 .XX ± 0.20
 .XXX ± 0.10
 ANG ± 1°

照片框

ORDER INFORMATION

HDMI-SWMNP-19-LF
 SERIES | | | | LEADFREE
 | | | | 19WAY
 | | | | POST
 | | | | NUT
 FEMALE | | | | METAL FOOT
 | | | | 90° SMT

煜倫股份有限公司

www.morethanall.com

SIZE A4 PROJECTION

DESCRIPTION: HDMI 19PIN SMT (JAE) 侧边螺孔