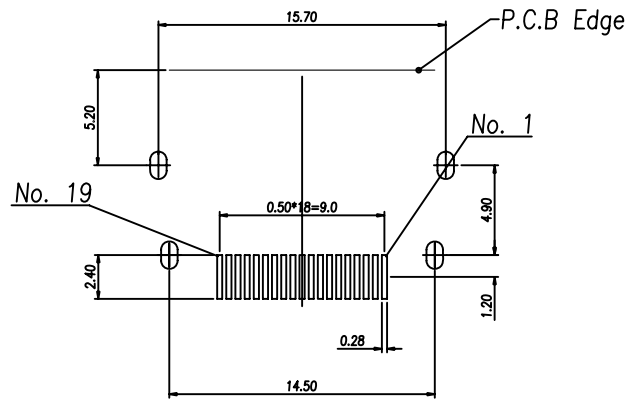
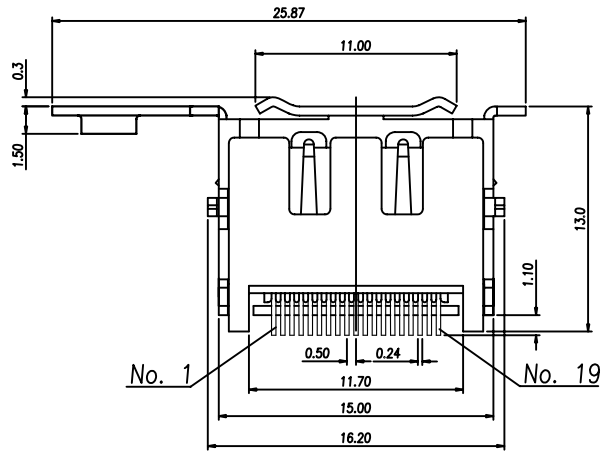
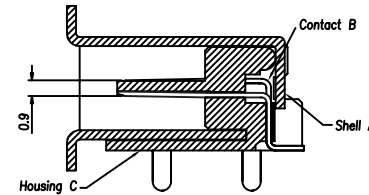
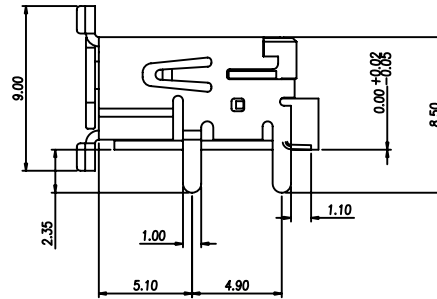
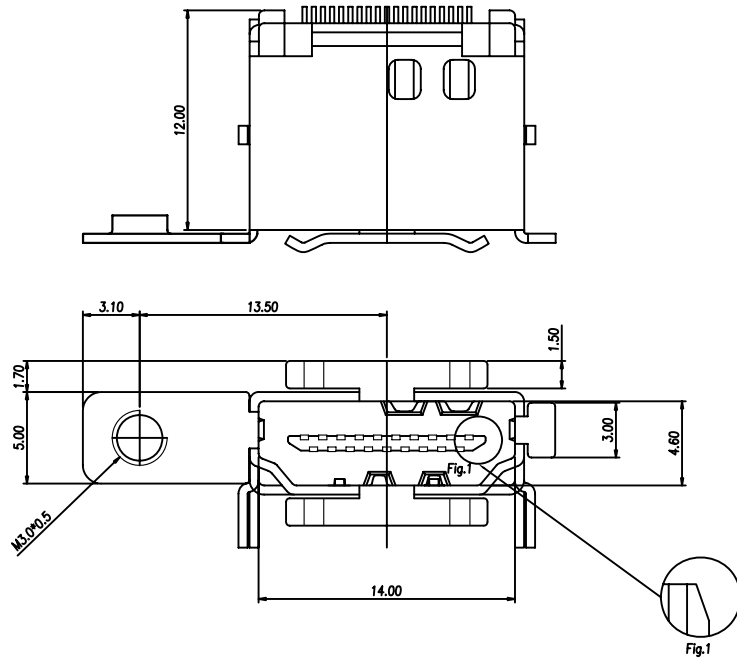


3	HOUSING	1
2	SHELL	1
1	PIN	19
ITEM	PART	PCS



Recommend P.C.B Layout

**NOTE:**

**Material**

Housing: LCP, UL 94V-0 Rated; Color: Black.  
 Shield: Brass.  
 Plating: Tin 100u" Over Nickle Base  
 Contact: Bronze  
 Plating: SEE TABLE B.

**Electrical**

Contact resistance: Contact 30m ohm max.  
 Shell 50m ohm max.  
 Insulation resistance: unmated 100M ohm min.  
 mated 10M ohm min.  
 Dielectric strength: 500 VAC min.  
 Current rating: 0.5A min.

**RoHS Compliant**

TOLERANCES ARE

**MORETHANALL**  
 PCB CONNECTORS  
 Cable ASSEMBLIES

DRAWING BY CY

X, ±

CHECKED BY GENIUS

.X ± 0.30

UNIT / mm

SCALE 1 : 1

.XX ± 0.20

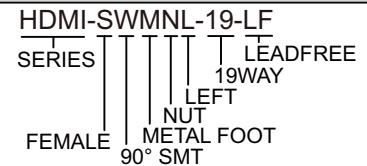
DATE

.XXX ± 0.10

ANG ± 1°

照片框

**ORDER INFORMATION**



**煜倫股份有限公司**

www.morethanall.com

SIZE A4

P PROJECTION

DESCRIPTION: HDMI 19PIN SMT (JAE) 侧身穿孔