

- NOTE:
1. SOLDER TAIL TO BE WITHIN 0.05 UPWARD AND 0.15 DOWNWARD FROM Z-DATUM PLACE AND COPLANALTY OF SOLDER TAILS TO BE WITHIN 0.10 MEASUREMENT POINT SOLDER TAILS TIP
  2. INSPECTION SYMBOL: ● : MANUFACTURER INSPECTION  
◆ : Q.C INSPECTION
  3. MATERIAL: HOUSING: THERMOPLASTIC, COLOR: BLACK, UL-94V0  
MOLDING: THERMOPLASTIC, COLOR: BLACK, UL-94V0  
SHELL1: COPPER ALLOY, T=0.50 MM  
SHELL2: SPCC, T=0.50 MM  
CONTACT: COPPER ALLOY, T=0.20 MM
  4. FINISH: CONTACT: GOLD PLATE ON MATING SURFACE, G/F OR TIN PLATE ON SOLDER TAIL, ALL OVER NICKEL UNDER PLATE  
SHELL1: ALL OVER NICKEL UNDER PLATE  
SHELL2: ALL OVER NICKEL UNDER PLATE

RoHS Compliant

TOLERANCES ARE

**MORETHANALL**  
PCB CONNECTORS  
Cable ASSEMBLIES

DRAWING BY CY

X. ± 0.30

CHECKED BY GENIUS

.X ± 0.20

UNIT / mm

SCALE 1 : 1

.XX ± 0.10

DATE

.XXX ± 0.05

ANG ±

SIZE A4

P PROJECTION

照片框

ORDER INFORMATION

HDMI-SWMN15-19-LF

SERIES LEADFREE

19WAY

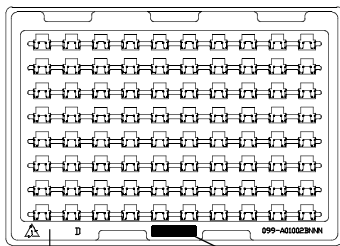
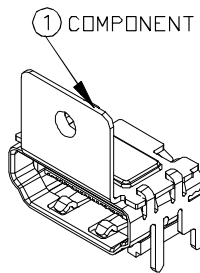
FEMALE NUT 15.7+14.5mm

90° SMT METAL FOOT

煜倫股份有限公司

www.morethanall.com

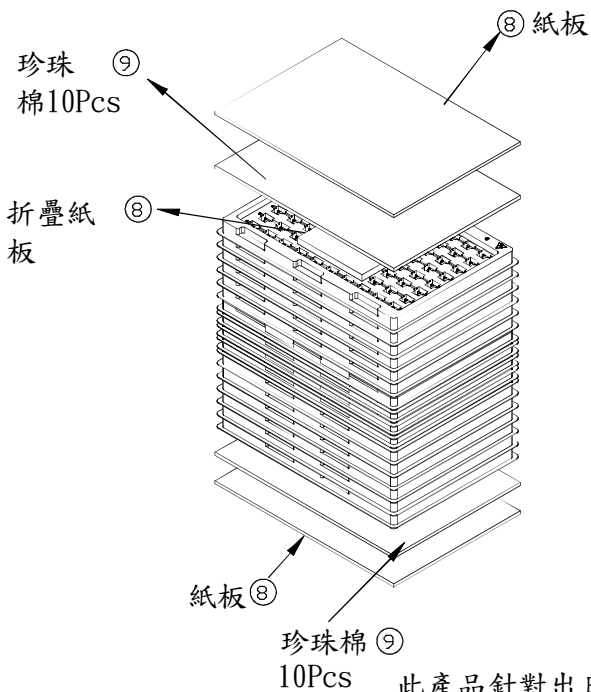
DESCRIPTION:



② COVER

⑥ LABEL  
(4cm\*1.6cm, GREEN)

	MATERIAL	REMARKS
1	COMPONENT	40TRAY X 80PCS
2	TRAY	2X(1COVER+20TRAY)
3	CARTON	CARTON/40 TRAYS/3200
4	POLY BAG	1 LABEL/CARTON
5	LABEL	1 LABEL/CARTON
6	LABEL	1 LABEL/TRAY
7	TAPE	
8	紙板	6 Pcs/CARTON
9	珍珠棉	40 Pcs/CARTON

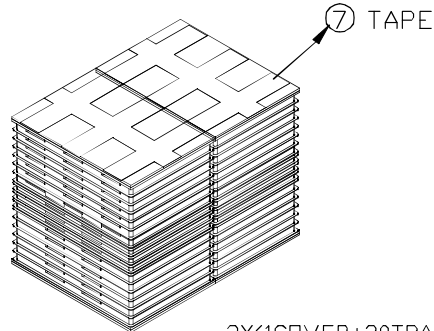


珍珠棉 ⑨  
10Pcs

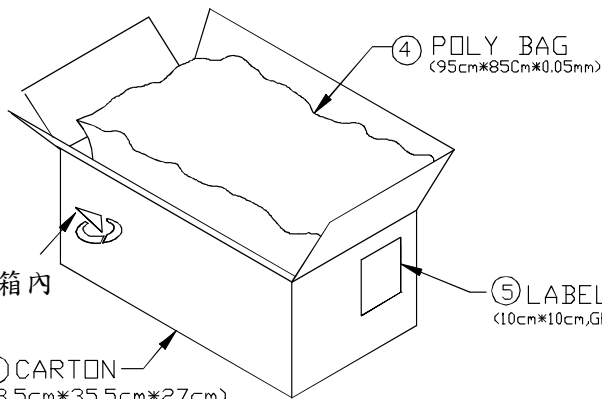
折疊紙板 ⑧

紙板 ⑧

珍珠棉 ⑨  
10Pcs



2X(1COVER+20TRAY)  
TRAY 交錯堆疊



④ POLY BAG  
(95cm\*85cm\*0.05mm)

⑤ LABEL  
(10cm\*10cm, GREEN)

③ CARTON  
(48.5cm\*35.5cm\*27cm)

此產品針對出日系客戶箱內  
四周及上下均需墊紙板。

RoHS Compliant

TOLERANCES ARE

**MORETHANALL**  
PCB CONNECTORS  
Cable ASSEMBLIES

DRAWING BY CY

X.±

CHECKED BY GENIUS

.X±

UNIT / mm

SCALE 1 : 1

.XX±

DATE

.XXX±

ANG ±

照片框

ORDER INFORMATION

HDMI-SWMN15-19-LF  
SERIES | LEADFREE  
19WAY  
FEMALE | NUT  
90° SMT METAL FOOT

煜倫股份有限公司

www.morethanall.com

SIZE A4

PPOJECTION

DESCRIPTION: