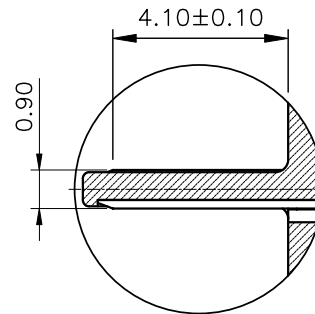
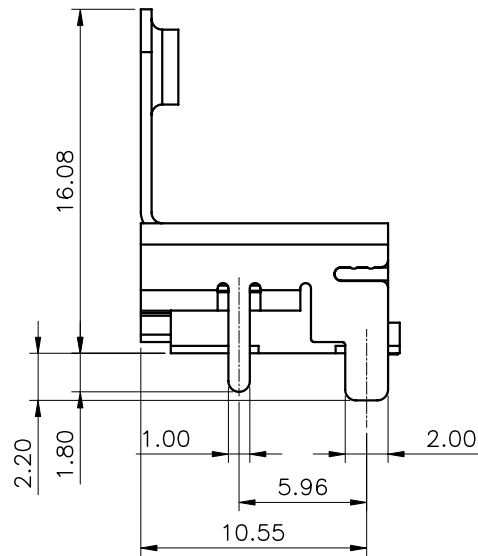
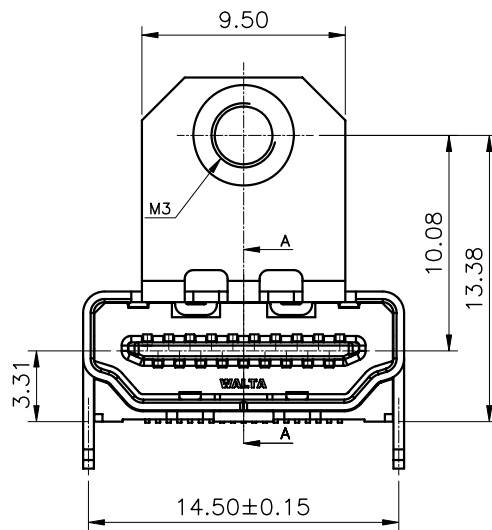
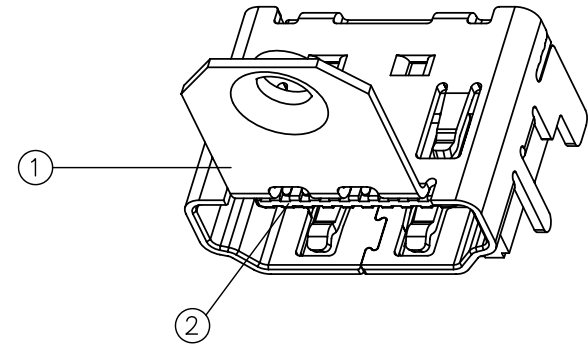


ITEM 項目	PARTS NAME 零件名稱	Q'TY 數量	MATERIAL 材質	FINISH/REMARK 處理/備註
1	SHELL	1	COPPER ALLOY	Ni:50u"
2	HOUSING	1	SYNTHETIC RESIN	BLACK
3	CONTACT	19	COPPER ALLOY	Gold:15u"; Tin:150u"; Ni:50u"



SECTION A-A
SCALE 2/1

SPECIFICATION

MATERIAL

See drawing
STANDARD DATA

Rating current:0.5A

Operating temperature: -10°C ~ +60°C

Storage temperature: -20°C ~ +85°C

ELECTRICAL

Insulator resistance: 100 Mohms Min. @ 500 VDC Δ

Withstanding voltage: 500 VAC/minute

Contact resistance: 60 mohms Max. Δ

MECHANICAL

Insertion force: 44.1N(4.5Kgf) Max.

Withdrawal force: 9.8~39.2N(1.0~4.0Kgf).

Durability: 10000 cycles Min.

Contact retention force: 2.1N(0.21Kgf) Min.

RoHS Compliant

TOLERANCES ARE

MORETHANALL
PCB CONNECTORS
Cable ASSEMBLIES

DRAWING BY CY

X. ± 0.50

CHECKED BY GENIUS

.X ± 0.30

UNIT / mm

SCALE 1 : 1

.XX ± 0.20

DATE

.XXX ±

ANG ± 5°

SIZE A4

PJECTION

照片框

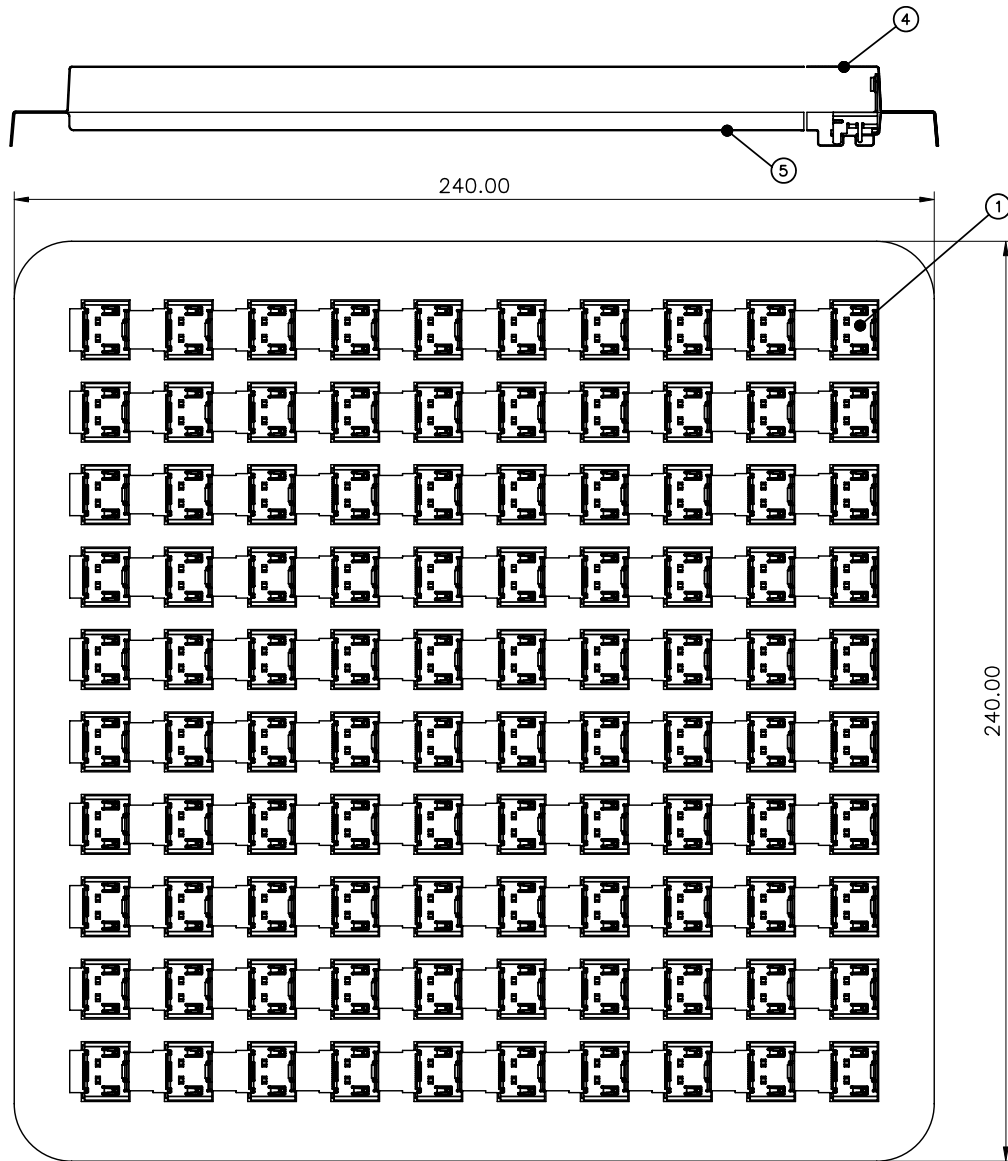
ORDER INFORMATION

HDMI-SWMN-19-LF
SERIES | | | LEADFREE
| | | 19WAY
| | | NUT
| | | METAL FOOT
| | | 90° SMT
| | | FEMALE

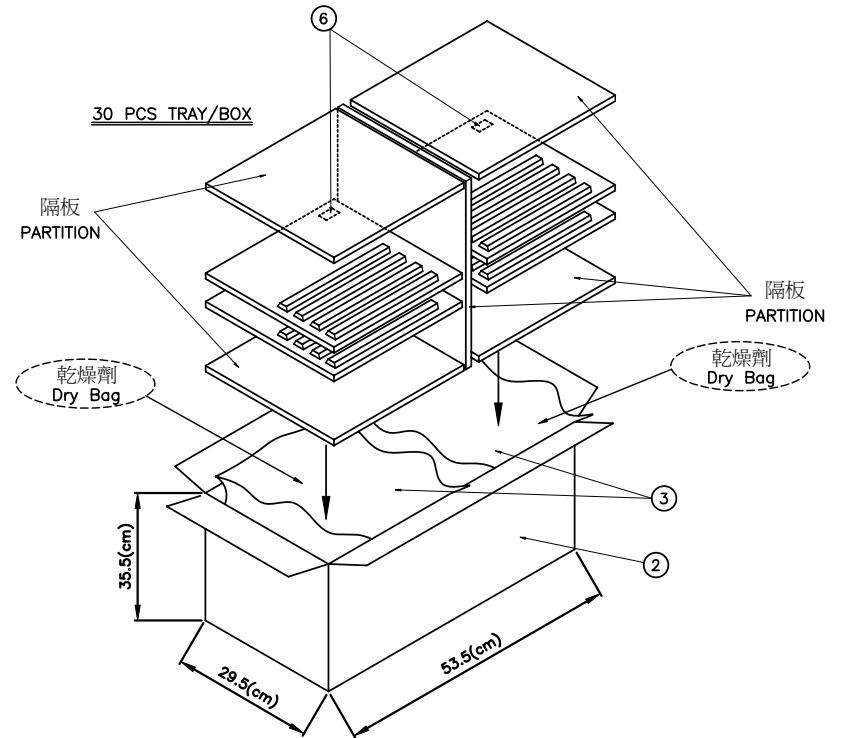
煜倫股份有限公司

www.morethanall.com

DESCRIPTION: HDMI CONNECTOR



ITEM 項目	PARTS NAME 零件名稱	FINISH/REMARK 處理/備註
1	I/O CONNECTOR	3000 PCS/BOX
2	BOX	30 PCS TRAY/BOX
3	WATERPROOF BAG	2 PCS
4	TRAY(TOP COVER)	30 PCS/BOX;100 PCS CONNECTOR/TRAY
5	TRAY(BOTTOM COVER)	30 PCS/BOX;100 PCS CONNECTOR/TRAY
6	LABEL	批號標籤
7		



NOTES
 1.MATERIAL: PS (Color: Transparent(透明))
 2.DEFORMATION(變形)&DAMAGE(損壞): NA.(不可)
 3.All dimensions meet EIA-481-C requirements.

RoHS Compliant

TOLERANCES ARE

MORETHANALL
 PCB CONNECTORS
 Cable ASSEMBLIES

煜倫股份有限公司

www.morethanall.com

DRAWING BY CY

X ± 0.50

CHECKED BY GENIUS

.X ± 0.30

UNIT / mm

SCALE 1 : 1

.XX ± 0.20

DATE

.XXX ±

ANG ± 5°

SIZE A4

PJECTION

照片框

ORDER INFORMATION

HDMI-SWMN-19-LF
 SERIES | | | LEADFREE
 | | | 19WAY
 | | | NUT
 | | | METAL FOOT
 | | | 90° SMT
 | | | FEMALE

DESCRIPTION: HDMI CONNECTOR