

RoHS Compliant

TOLERANCES ARE

MORETHANALL
PCB CONNECTORS
Cable ASSEMBLIES

DRAWING BY CY

CHECKED BY GENIUS

UNIT/mm

SCALE 1:1

DATE

SIZE A4

P PROJECTION

X, ±
X ± 0.38
.XX ± 0.25
.XXX ±
ANG ± 1°

照片框

ORDER INFORMATION

HDMI-SWMM15PE-19-LF

SERIES

FEMALE

LEADFREE

19WAY

PANEL+EAR

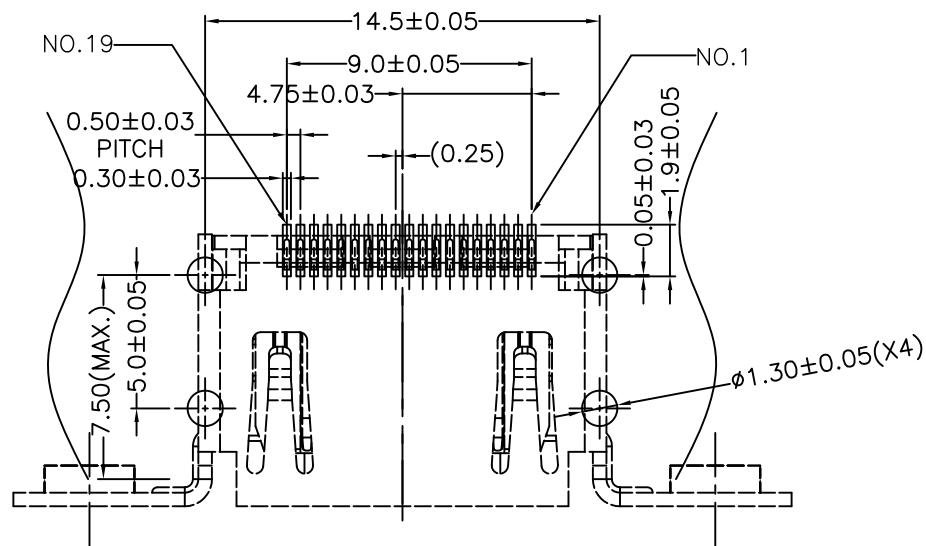
METAL FOOT/1.5mm

90° SMT

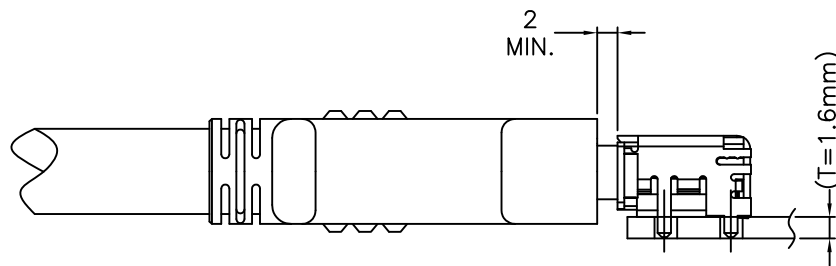
DESCRIPTION: HDMI RECEPTACLE SMT TYPE WITH WING LOW PROFILE

煜倫股份有限公司

www.morethanall.com



RECOMMENDED PCB LAYOUT (THICKNESS=1.6±0.15mm)



REFERENCE MOUNT DIMENSION

REMARKS:

1. MATERIAL:

1.1 HOUSING: HIGH TEMPERATURE THERMOPLASTIC
UL 94V-0 RATED

1.2 CONTACT: COPPER ALLOY

2. PLATING:

2.1 CONTACT:

GOLD PLATED OVER NICKEL ON CONTACT AREA
AND 100u" MIN. TIN PLATED OVER NICKEL
ON SOLDER TAILS

2.2 SHELL:

SOLDERABLE NICKEL PLATED
OR TIN PLATED

RoHS Compliant

TOLERANCES ARE

MORETHANALL
PCB CONNECTORS
Cable ASSEMBLIES

煜倫股份有限公司

www.morethanall.com

DRAWING BY CY

CHECKED BY GENIUS

UNIT/mm SCALE 1:1

DATE

SIZE A4

X, ±
.X ± 0.38
.XX ± 0.25
.XXX ±
ANG ± 1°

PJECTION

照片框

ORDER INFORMATION

HDMI-SWMM15PE-19-LF

SERIES

FEMALE

90° SMT

LEADFREE

19WAY

PANEL+EAR

METAL FOOT/1.5mm

DESCRIPTION: HDMI RECEPTACLE SMT TYPE WITH WING LOW PROFILE