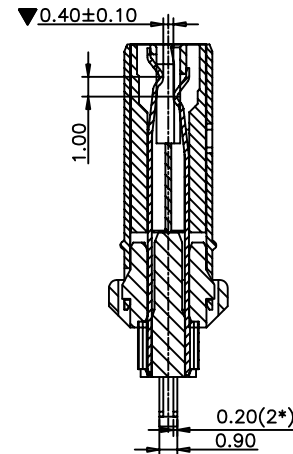
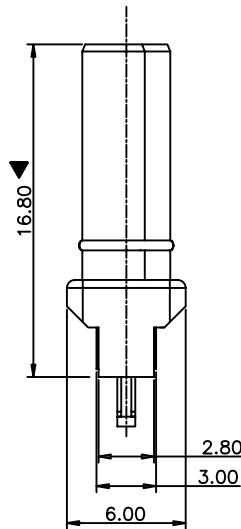
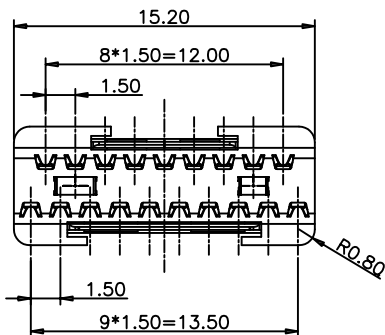
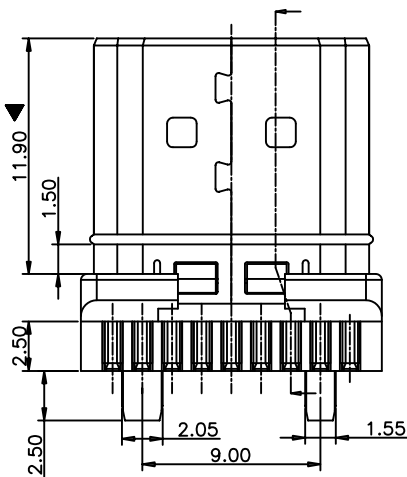


MATERIAL :

- 1.1 HOUSING :HIGH TEMPERATURE THERMOPLASTIC
- 1.2 CONTACT :COPPER ALLOY
- 1.3 SHELL : COPPER ALLOY OR STEEL
- 1.4 COVER: HIGH TEMPERATURE THERMOPLASTIC



NOTE:

1. MECHANICAL :
 - 1.1 INSERTION FORCE :44.1 N MAX
 - 1.2 WITHDRAWAL FORCE :9.8 N MIN.
2. ELECTRICAL :
 - 2.1 CONTACT CURRENT RATING: 0.5A MIN.
 - 2.2 VOLTAGE RATING :40V AC (rms)
 - 2.3 WITHSTANDING VOLTAGE: 500 VAC FOR 1 MINUTE.
 - 2.4 INSULATION RESISTANCE: 100 MEGAOHMS MIN.
 - 2.5 CONTACT RESISTANCE: 30 MILLIOHMS MAX.
3. ENVIRONMENTAL :
 - 3.1 OPERATING TEMPERATURE:-25°C TO +85°C
4. DIM. MARKED ▼ TO BE CHECKED BY QC.

RoHS Compliant

TOLERANCES ARE

MORETHANALL
PCB CONNECTORS
Cable ASSEMBLIES

煜倫股份有限公司

www.morethanall.com

DRAWING BY CY

CHECKED BY GENIUS

UNIT / mm

SCALE 1 : 1

DATE

SIZE A4

X. ±

.X ±

.XX ±

.XXX ±

ANG ±

PJECTION

照片框

ORDER INFORMATION

HDMI-PSB-19-LF
SERIES | | | LEADFREE
| | | 19WAY
| | | B TYPE
| | | SOLDER
| | | MALE

DESCRIPTION: