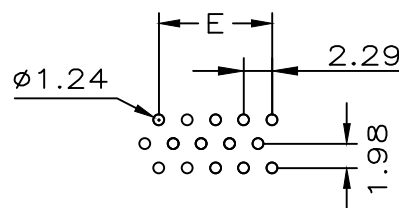
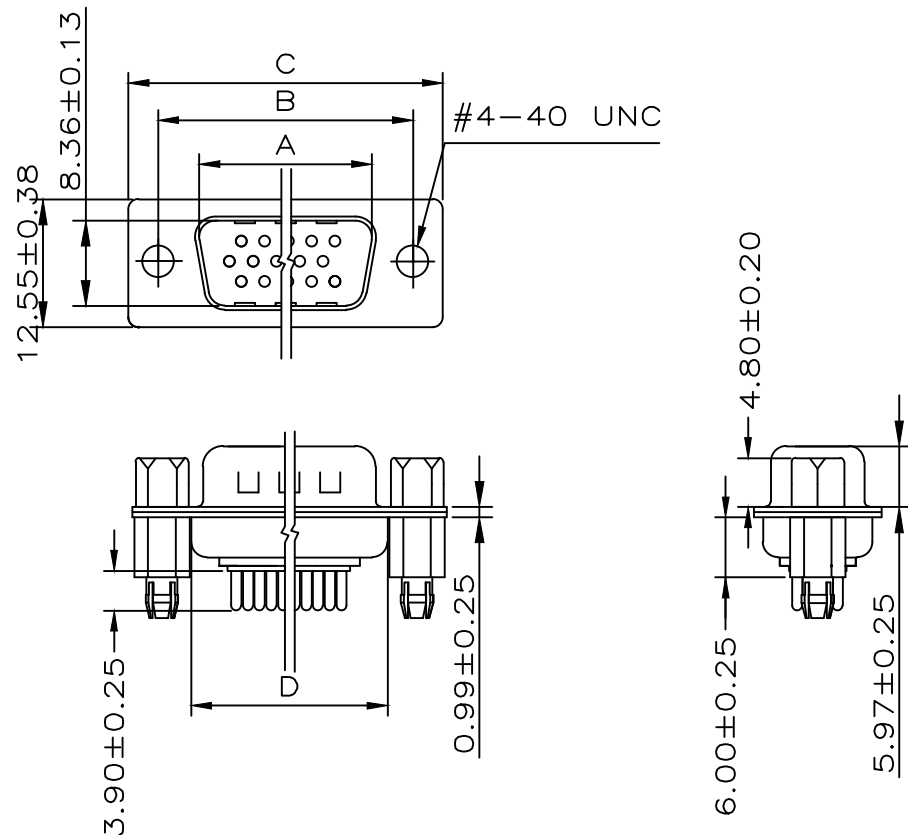


| Table 1<br>Material |   |
|---------------------|---|
| Contact             | Brass                                     |
| Metal Shell         | Steel/Dimples on Plug only                |
| Insulator           | UL94V-0 Thermoplastic<br>30% glass filled |
| Boardlock           | Brass                                     |
| Screw               | Brass                                     |

| Table 2<br>Finish |                      |
|-------------------|----------------------|
| Contact           | Gold-flashed         |
| Metal Shell       | Tin or nickel plated |
| Screw             | Nickel plated        |
| Boardlock         | Nickel plated        |

| Table 3<br>Electrical Data |                   |
|----------------------------|-------------------|
| Operating Temperature      | -55°C - +125°C    |
| Insulator Resistance       | Minimum 5000 MΩ   |
| Contact Resistance         | Maximum 10mΩ      |
| Dielectric w/standing Volt | 1000 V AC per min |

| Table 4<br>Dimension |                  |                   |                  |                  |                  |                  |
|----------------------|------------------|-------------------|------------------|------------------|------------------|------------------|
| No. of Contact       | A ±0.25<br>±.010 | A* ±0.25<br>±.010 | B ±0.13<br>±.005 | C ±0.38<br>±.015 | D ±0.25<br>±.010 | E ±0.25<br>±.010 |
| 15                   | 16.92<br>.666    | 16.33<br>.643     | 24.99<br>.984    | 30.81<br>1.213   | 19.28<br>.759    | 9.16<br>.361     |
| 26                   | 25.25<br>.994    | 24.66<br>.971     | 33.32<br>1.312   | 39.14<br>1.541   | 27.51<br>1.083   | 18.32<br>.721    |
| 44                   | 38.96<br>1.534   | 38.38<br>1.511    | 47.04<br>1.852   | 53.04<br>2.088   | 41.28<br>1.625   | 32.06<br>1.262   |



PCB LAYOUT

RoHS Compliant

TOLERANCES ARE

**MORETHANALL**  
PCB CONNECTORS  
Cable ASSEMBLIES

DRAWING BY CY

X.±

CHECKED BY GENIUS

.X±

UNIT / mm

SCALE 1:1

.XX±

DATE

.XXX±

ANG±

SIZE A4

PJECTION

照片框

ORDER INFORMATION

HDDL-PGZJ-xx-LF

SERIES | | | | LEADFREE  
15,26,44 WAY  
| | | | JACKSCREW  
| | | | CLIP  
| | | | GOLD  
| | | | MALE

DESCRIPTION:

煜倫股份有限公司

www.morethanall.com