

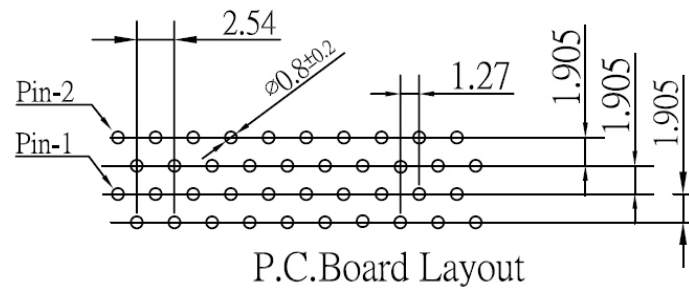
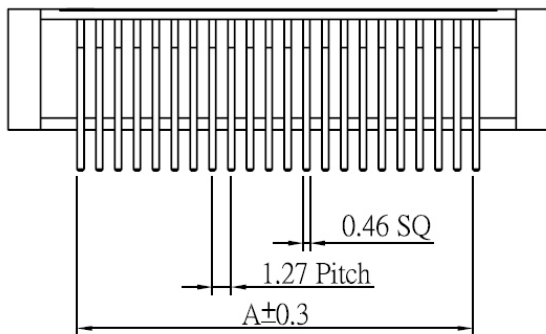
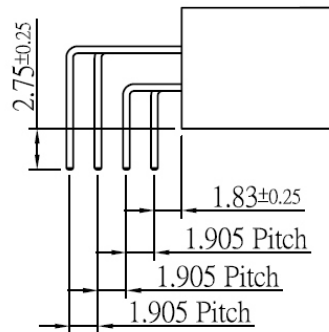
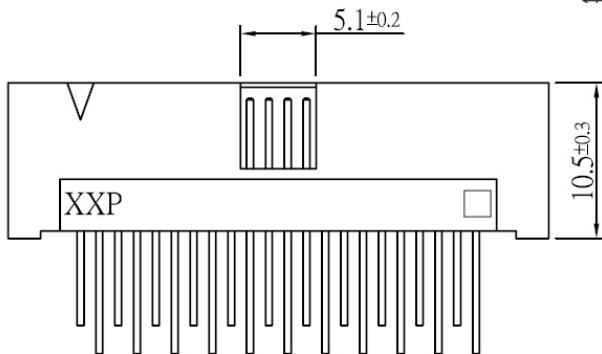
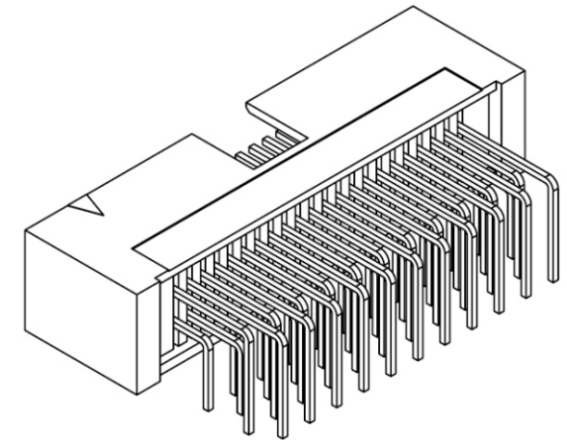
Contract:

Contact: Brass.

Insulator: PBT.

Color: Black.

Finish: Gold flash plated over nicked.



Circuits	Dimension		
	A	B	C
16	8.89	18.66	16.46
20	11.43	21.20	19.00
32	19.05	28.82	26.62
40	24.13	33.90	31.70
44	26.67	36.44	34.24
52	31.75	41.52	39.32
60	36.83	46.60	44.40
68	41.91	51.68	49.48
80	49.53	59.30	57.10
100	62.23	72.00	69.80

RoHS Compliant

TOLERANCES ARE

MORETHANALL
PCB CONNECTORS
Cable ASSEMBLIES

DRAWING BY CY

X.±

CHECKED BY GENIUS

.X±

UNIT / mm

SCALE 1 : 1

.XX±

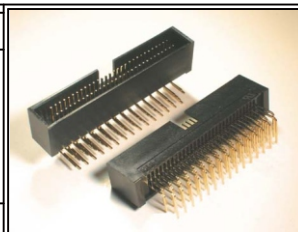
DATE

.XXX±

ANG±

SIZE A4

PPOJECTION



ORDER INFORMATION

HB-R4H10-xxx-LF
SERIES | LEADFREE
016~100WAY
LONG 10.5mm
4 ROW
DIP 90°

煜倫股份有限公司

www.morethanall.com

DESCRIPTION: