

MATERIAL

Contact Pin : Brass

SPECIFICATION

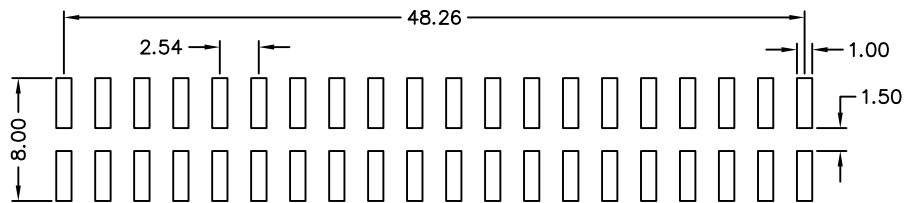
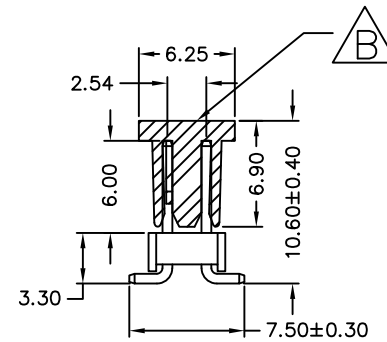
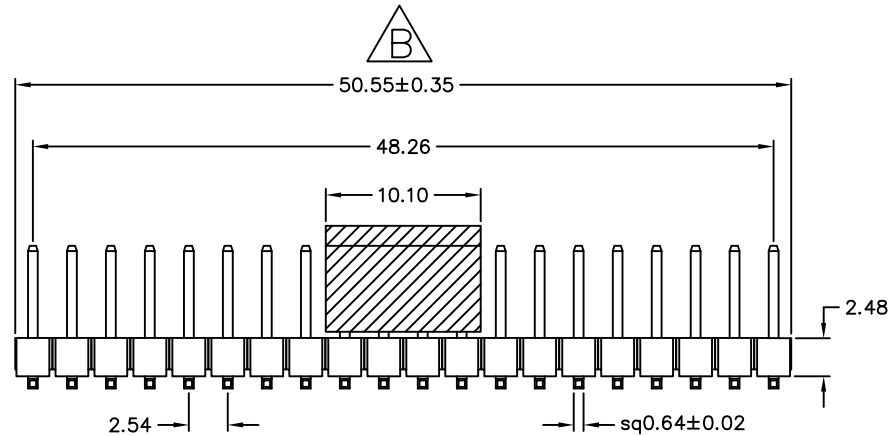
Current Rate : 3 AMP

Insulation Resistance : 5000MΩMin. at DC 500V

Contact Resistance : 20mΩMax. at DC 100mA

Dielectric Voltage : AC 500V for one minute

Operation Temperature : -40°C to + 105°C



Recommended P.C.B Layout

RoHS Compliant

TOLERANCES ARE

MORETHANALL
PCB CONNECTORS
Cable ASSEMBLIES

DRAWING BY CY

X. ±

CHECKED BY GENIUS

.X ± 0.30

UNIT / mm

SCALE 1 : 1

.XX ± 0.20

DATE

.XXX ±

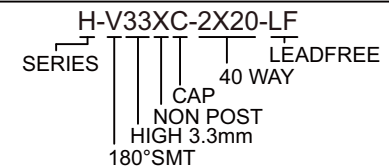
ANG ± 3°

SIZE A4

PPOJECTION

照片框

ORDER INFORMATION



DESCRIPTION: PIN HEADER 2.54*2.54mm SMT S/T H=2.5mm CAP+TUBE

煜倫股份有限公司

www.morethanall.com