

MATERIAL

Contact Pin : Brass

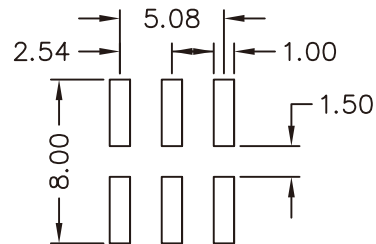
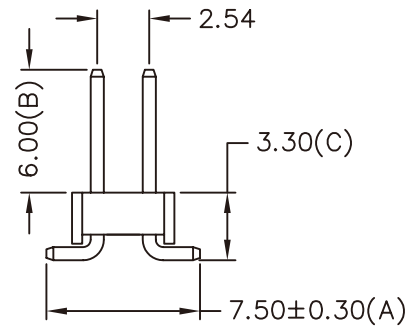
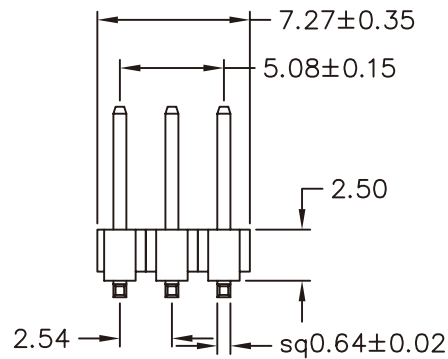
SPECIFICATION

Current Rate : 3 AMP

Insulation Resistance : 5000MΩMin. at DC 500V

Contact Resistance : 20mΩMax. at DC 100mA

Dielectric Voltage : AC 500V for one minute



Recommended P.C.B Layout

RoHS Compliant

TOLERANCES ARE

MORETHANALL
PCB CONNECTORS
Cable ASSEMBLIES

DRAWING BY CY

X.±

CHECKED BY GENIUS

.X±

UNIT / mm

SCALE 1 : 1

.XX±

.XXX±

DATE

ANG±

煜倫股份有限公司

www.morethanall.com

SIZE A4

PPOJECTION

照片框

ORDER INFORMATION

H-V33X-2X03-LF
SERIES | 06 WAY | LEADFREE
NON POST
HIGH 3.3mm
180°SMT

DESCRIPTION: PIN HEADER 2.54*2.54mm SMT S/T TYPE, DUAL ROWS