

RECOMMENDED P.C.B LAYOUT

MATERIAL

HOUSING : THERMOPLASTIC UL94V-0

CONTACT : COPPER ALLOYS

SPECIFICATION

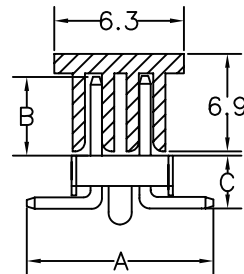
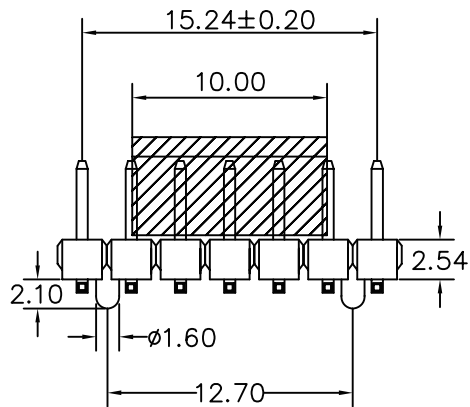
CURRENT: 3A

OPERATING TEMPERATURE: -55°C TO +105°C

CONTACT RESISTANCE : 20 MILLIOHMS MAX

INSULATION RESISTANCE : 1000 MEGAOHMS MIN

WITHSTANDING VOLTAGE: AC 100V RMS



A: 7.50 mm B: 6.00 mm C: 3.30 mm

RoHS Compliant

TOLERANCES ARE

MORETHANALL
PCB CONNECTORS
Cable ASSEMBLIES

DRAWING BY CY

CHECKED BY GENIUS

UNIT / mm

SCALE 1 : 1

DATE

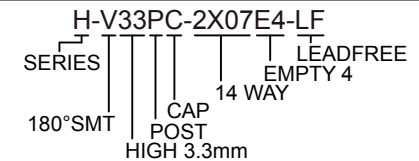
SIZE A4

X. ±
.X ±
.XX ±
.XXX ±
ANG ±

P PROJECTION

照片框

ORDER INFORMATION



DESCRIPTION: PIN HEADER 2.54+POST+CA PH:2.54 2*7(N4)PIN

煜倫股份有限公司

www.morethanall.com