

**SPECIFICATIONS**

Current Rating:  
3 Amp

Voltage Rating:  
230V

Insulator resistance:  
5000 Megohms Min.

Contact Resistance:  
20 m ohms Max.

Dielectric withstanding:  
AC 500V/minute

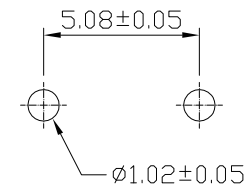
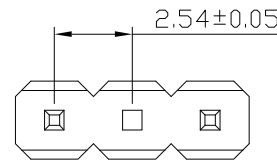
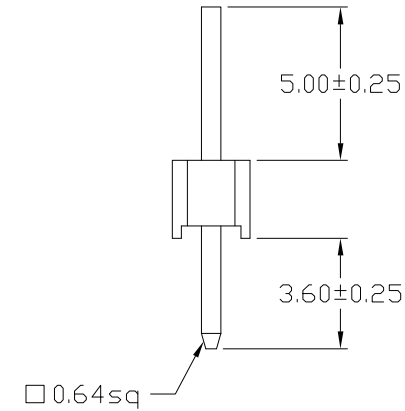
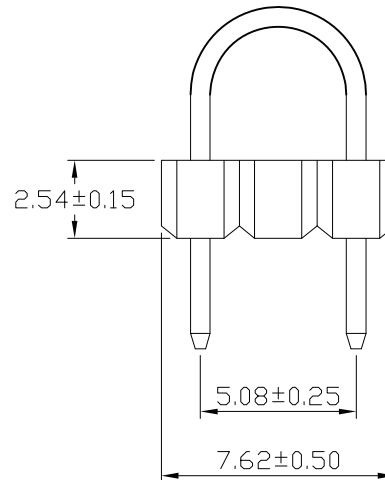
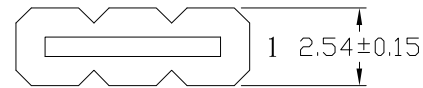
Operating Temperature:  
-25°~+85°C(PBT)  
-40°~+105°C(6T, 9T)  
-40°~+125°C(LCP)

Contact Material:  
Brass

Insulator Material:  
Polyester UL94V-0

Standard Color:  
Black

Finish:  
Gold, Tin or Duplex plated  
Duplex plated:  
Gold plated on contact area  
Tin on solder area



RECOMMENDED P. C. B. LAYOUT

**RoHS Compliant**

TOLERANCES ARE

**MORETHANALL**  
PCB CONNECTORS  
Cable ASSEMBLIES

煜倫股份有限公司

www.morethanall.com

DRAWING BY CY

CHECKED BY GENIUS

UNIT / mm

SCALE 1 : 1

DATE

SIZE A4

PPOJECTION

X, ±  
.X ± 0.38  
.XX ± 0.25  
.XXX ±  
ANG ± 3°

照片框

**ORDER INFORMATION**

H-U-1X03-LF  
SERIES | LEADFREE  
| 03 WAY  
U TYPE

DESCRIPTION: 2.54mm Pin Header U Type