

MATERIAL

Contact Pin : Brass

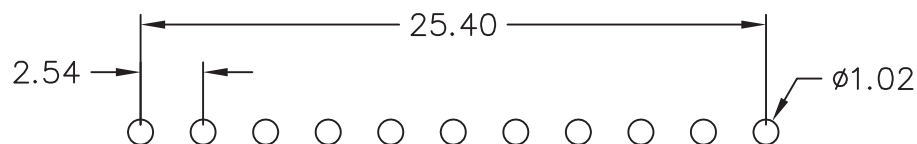
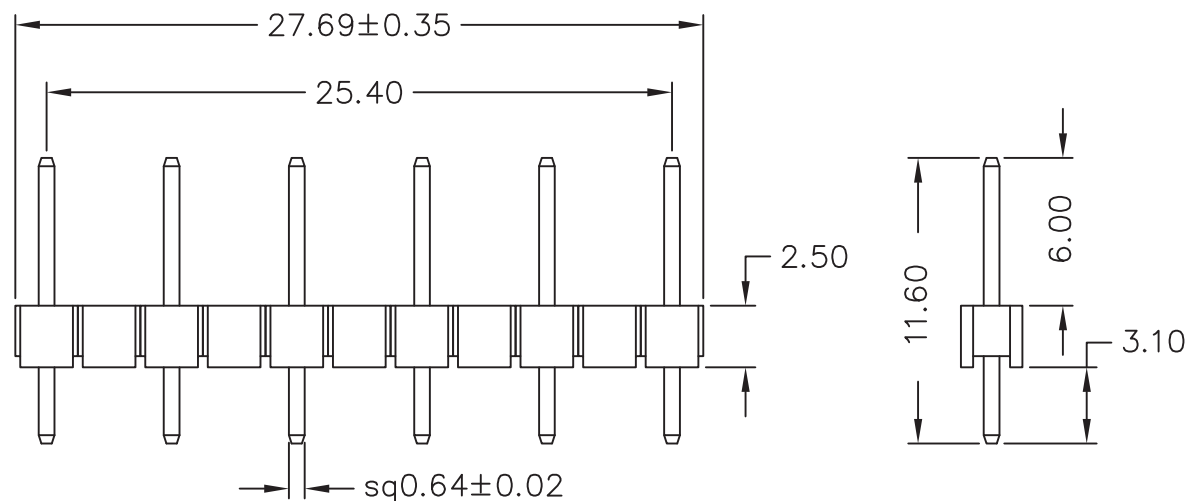
SPECIFICATION

Current Rate : 3 AMP

Insulation Resistance : 5000MΩMin. at DC 500V

Contact Resistance : 20mΩMax. at DC 100mA

Dielectric Voltage : AC 500V for one minute



Recommended P.C.B Layout

RoHS Compliant

TOLERANCES ARE

MORETHANALL
PCB CONNECTORS
Cable ASSEMBLIES

DRAWING BY CY

CHECKED BY GENIUS

UNIT / mm

SCALE 1 : 1

DATE

SIZE A4

X, ±
.X ± 0.30
.XX ± 0.20
.XXX ±
ANG ± 3°

P PROJECTION

照片框

ORDER INFORMATION

H-DEE-1X06-LF
SERIES | LEADFREE
06 WAY
EMPTY EVEN PIN
DIP 180°

煜倫股份有限公司

www.morethanall.com

DESCRIPTION: PIN HEADER 2.54*2.54mm STRAIGHT TYPE, SINGLE ROW