

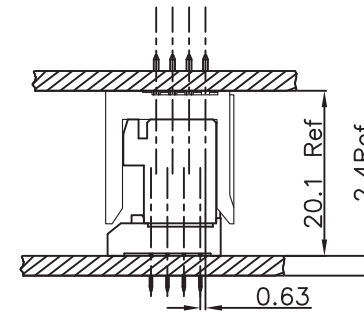
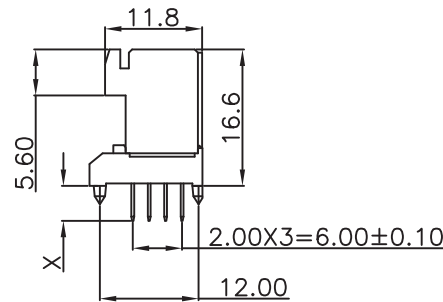
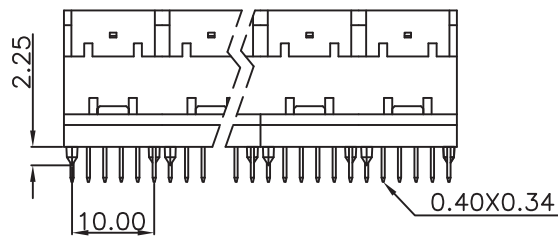
Material:

Housing: High Temperature Plastic UL94V-0.
 Contacts: Copper Alloy
 Spacer: High Temperature Plastic UL94V-0.

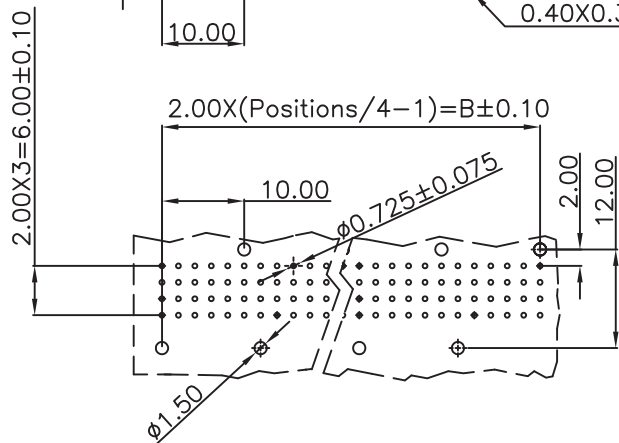
Electrical Characteristics:

Current Rating: 1 AMP.
 Dielectric Withstanding Voltage: AC 1000V For 1 minute.
 Insulator Resistance: 1000MΩ min. at DC 500V.
 Contact Resistance: 30mΩ max. at DC 100mA.
 Operating Temperature: -55°C ~+125°C .

***RoHS Compliant**



Board-to-Board Offset
 Application Example



P.C. Board Layout

X length	1	2
	Dimension	
Position	A	B
	24	11.95
48	23.95	22
72	35.95	34
96	47.95	46
120	59.95	58
144	71.95	70
168	83.95	82
192	95.95	94

RoHS Compliant

TOLERANCES ARE



煜倫股份有限公司

www.morethanall.com

DRAWING BY CY

CHECKED BY GENIUS

UNIT/ mm SCALE 1:1

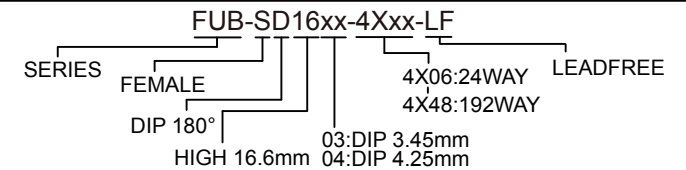
DATE

SIZE A4 PROJECTION

X. ± 0.50
 .X ± 0.25
 .XX ± 0.15
 .XXX ±
 ANG ±

照片框

ORDER INFORMATION



DESCRIPTION: 2.0mm(0.079") Female(+)
 4 Rows Female Dip Straight Type