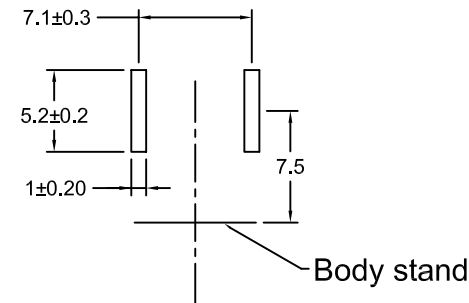


SUITABLE CHASSIS REFERENCE SIZE



## Panel mount Fuse Holder for ATU Fuses

### Specification :

Electric: Rated Current up to 30 A

Insulation Body: Nylon+Glass Fiber

Contacts: Brass

Terminal connecting forces: Insertion and withdrawal 35~50N

Thickness: 0.4mm Bright Tin plated

RoHS Compliant

TOLERANCES ARE

**MORETHANALL**  
PCB CONNECTORS  
Cable ASSEMBLIES

煜倫股份有限公司

www.morethanall.com

DRAWING BY CY

CHECKED BY GENIUS

UNIT / mm SCALE 1 : 1

DATE

SIZE A4

X, ±

.X ±

.XX ±

.XXX ±

ANG ±

PPOJECTION

照片框

ORDER INFORMATION

FUA-SUQ5PB-02-LF  
SERIES | | | | LEADFREE  
| | | | 02 WAY  
| | | | PANEL BACK  
| | | | 5.0mm TAB  
| | | | UPRIGHT  
| | | | FEMALE

DESCRIPTION: Panel Mount Fuse Holder