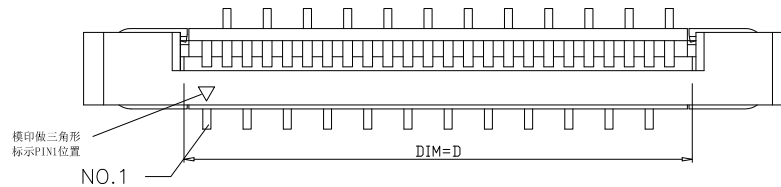
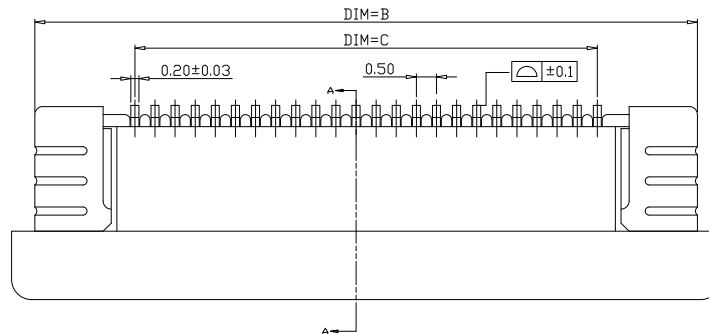
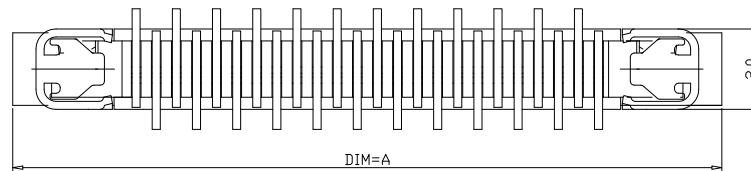
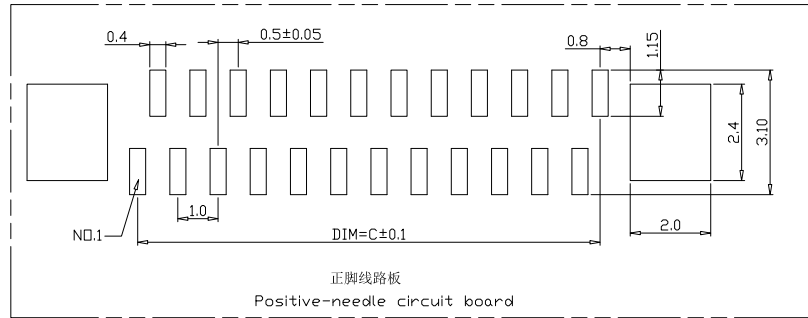


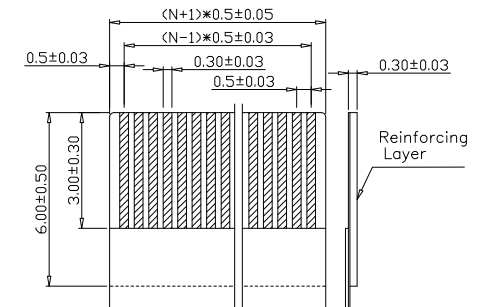
PIN数	DIM=A	DIM=B	DIM=C	DIM=D	DIM=E
60P	35.6	34.5	29.50	30.60	
59P	35.1	34.0	29.00	30.10	
58P	34.6	33.5	28.50	29.60	
57P	34.1	33.0	28.00	29.10	
56P	33.6	32.5	27.50	28.60	
55P	33.1	32.0	27.00	28.10	
54P	32.6	31.5	26.50	27.60	
53P	32.1	31.0	26.00	27.10	
52P	31.6	30.5	25.50	26.60	
51P	31.1	30.0	25.00	26.10	
50P	30.6	29.5	24.50	25.60	
49P	30.1	29.0	24.00	25.10	
48P	29.6	28.5	23.50	24.60	
47P	29.1	28.0	23.00	24.10	
46P	28.6	27.5	22.50	23.60	
45P	28.1	27.0	22.00	23.10	
44P	27.6	26.5	21.50	22.60	
43P	27.1	26.0	21.00	22.10	
42P	26.6	25.5	20.50	21.60	
41P	26.1	25.0	20.00	21.10	
40P	25.6	24.5	19.50	20.60	
39P	25.1	24.0	19.00	20.10	
38P	24.6	23.5	18.50	19.60	
37P	24.1	23.0	18.00	19.10	
36P	23.6	22.5	17.50	18.60	
35P	23.1	22.0	17.00	18.10	
34P	22.6	21.5	16.50	17.60	
33P	22.1	21.0	16.00	17.10	
32P	21.6	20.5	15.50	16.60	
31P	21.1	20.0	15.00	16.10	
30P	20.6	19.5	14.50	15.60	
29P	20.1	19.0	14.00	15.10	
28P	19.6	18.5	13.50	14.60	
27P	19.1	18.0	13.00	14.10	
26P	18.6	17.5	12.50	13.60	
25P	18.1	17.0	12.00	13.10	
24P	17.6	16.5	11.50	12.60	
23P	17.1	16.0	11.00	12.10	
22P	16.6	15.5	10.50	11.60	
21P	16.1	15.0	10.00	11.10	
20P	15.6	14.5	9.50	10.60	
19P	15.1	14.0	9.00	10.10	
18P	14.6	13.5	8.50	9.60	
17P	14.1	13.0	8.00	9.10	
16P	13.6	12.5	7.50	8.60	
15P	13.1	12.0	7.00	8.10	
14P	12.6	11.5	6.50	7.60	
13P	12.1	11.0	6.00	7.10	
12P	11.6	10.5	5.50	6.60	
11P	11.1	10.0	5.00	6.10	
10P	10.6	9.5	4.50	5.60	
9P	10.1	9.0	4.00	5.10	
8P	9.6	8.5	3.50	4.60	
7P	9.1	8.0	3.00	4.10	
6P	8.6	7.5	2.50	3.60	
5P	8.1	7.0	2.00	3.10	
4P	7.6	6.5	1.50	2.60	

4.9

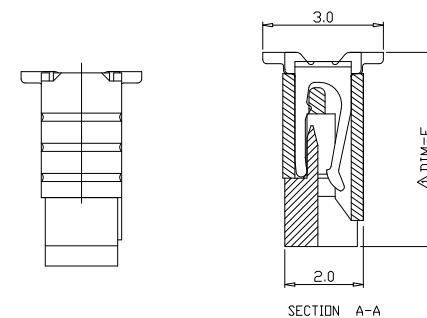
4.4



Material Description:
Terminal: Phosphor Tin-Leadplated
Fitting Nail: Brass Tin-plated
Housing: Thermoplastic(UL94V-0)
Slider: Thermoplastic(UL94V-0)



RECOMMENDED FFC/FPC DIM.



RoHS Compliant

TOLERANCES ARE

MORETHANALL
PCB CONNECTORS
Cable ASSEMBLIES

DRAWING BY CY

CHECKED BY GENIUS

UNIT / mm

SCALE 1 : 1

DATE

SIZE A4

X, ±
.X ± 0.30
.XX ± 0.20
.XXX ± 0.10
ANG ± 1°

PJECTION

照片框

ORDER INFORMATION

FPV-VZALhhR-xx-LF

SERIES LEADFREE

04~60WAY

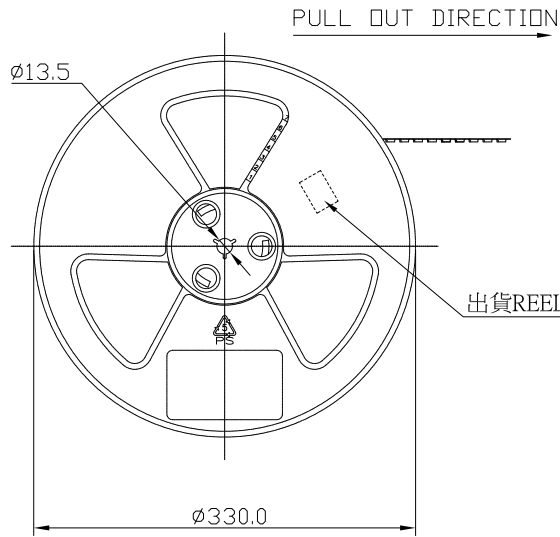
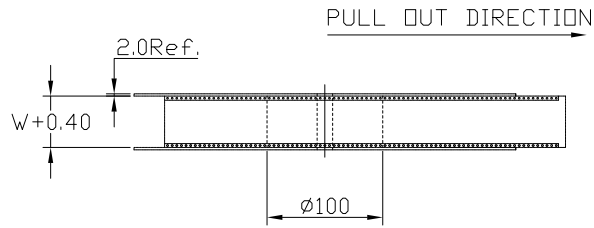
REEL

180°SMT ZIF 44:HIGH 4.40mm(04~34pin)
UPPER/CONTACT 49:HIGH 4.90mm(35~60pin)
L:L TYPE

煜倫股份有限公司

www.morethanall.com

DESCRIPTION:



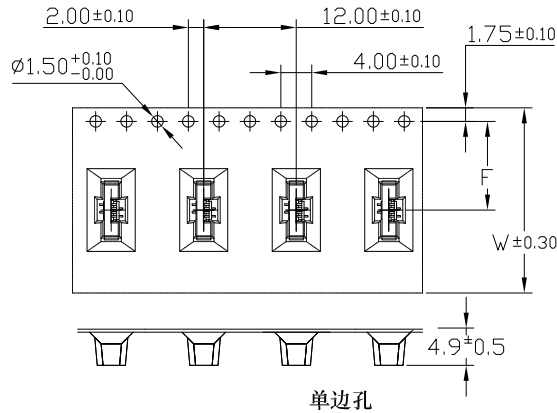
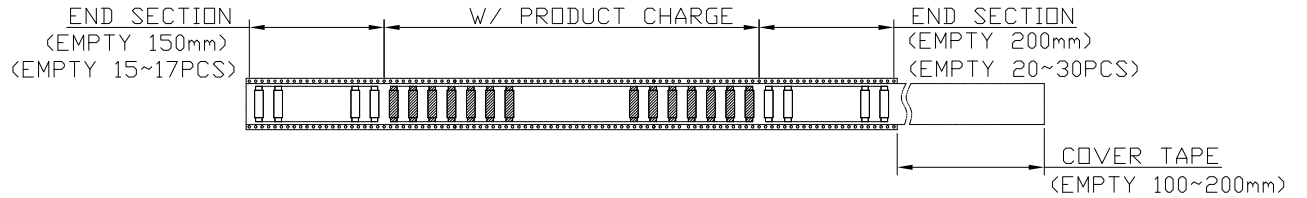
SCALE 3:20

1. 包装方式:

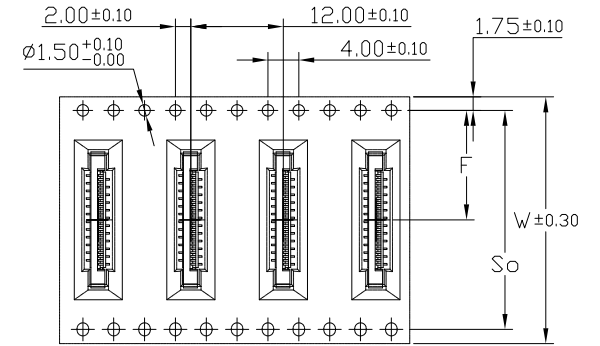
- 1.1. 载带头空约15pcs空槽，尾空约25pcs空槽。
- 1.2. 每REEL共包装产品1000PCS，

注意:

- 1. 防止漏装，
- 2. 产品在CARRY TAPE中的方向须与图一致;
- 3. COVER TYPE 剥离力:30.0~130gf,速度:300mm/min.;
- 4. 包装标识/标签满足客户和厂内管制要求;



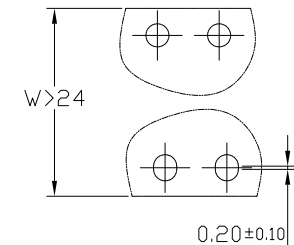
单边孔



双边孔

DIM TABLE :

PIN NO.	DIM W	DIM F	DIM So
04	16.0±0.30	7.50±0.20	-- 单边孔
05~19 & 21~22	24.0±0.30	11.50±0.20	-- 单边孔
20&23~30	32.0±0.30	14.20±0.20	28.4±0.20
31~54	44.0±0.30	20.20±0.25	40.4±0.20
55~60	56.0±0.30	26.20±0.25	52.4±0.20



照片框

RoHS Compliant

TOLERANCES ARE

MORETHANALL
PCB CONNECTORS
Cable ASSEMBLIES

DRAWING BY CY

X, ±

CHECKED BY GENIUS

.X ±

UNIT / mm

SCALE 1:1

.XX ±

DATE

.XXX ±

ANG ±

SIZE A4

P PROJECTION

ORDER INFORMATION

FPV-VZALhhR-xx-LF

SERIES REEL LEADFREE 04~60WAY

180°SMT ZIF 44:HIGH 4.40mm(04~34pin)

UPPER/CONTACT L:L TYPE 49:HIGH 4.90mm(35~60pin)

煜倫股份有限公司

www.morethanall.com

DESCRIPTION: 0.5 立式全包 (正反脚共用) 包装图