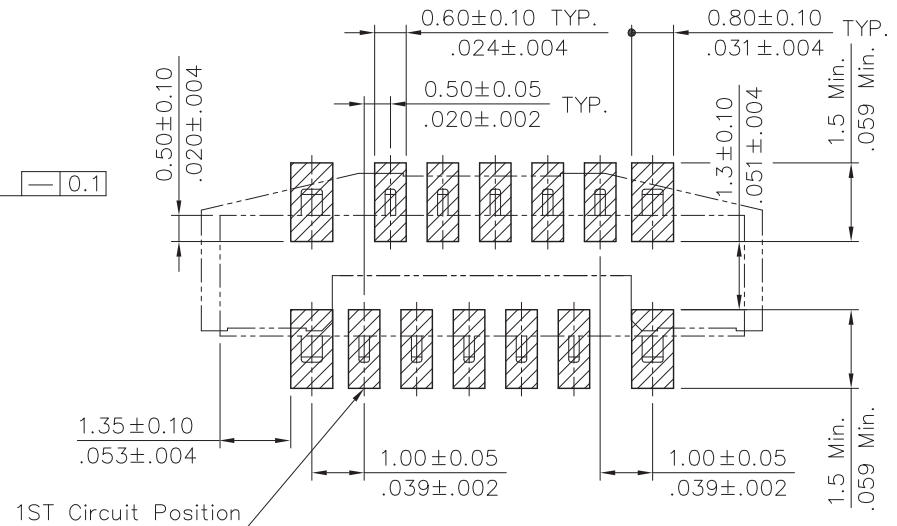
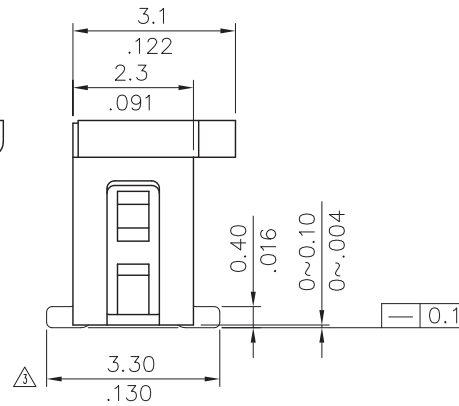
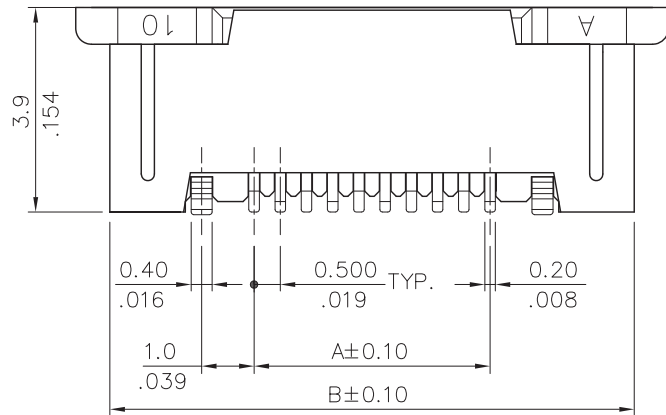


Material :

- * Body : NYLON 9T With 33% GF. UL 94V-0, Color Nature
- △ * Slider : NYLON 6T With 30% GF. UL 94V-0, Color Black
- * Contact : Phosphor Bronze, With Matte Tin plated
- * Fixed tab : Brass, With Matte Tin plated



Sold Pad Pattern

A = 0.50 x No. of Spaces

B = A + 5.5

C = A + 1.2

△ D = A + 6.8

* Available in 4 through 50 circuits

RoHS Compliant

TOLERANCES ARE

MORETHANALL
PCB CONNECTORS
Cable ASSEMBLIES

煜倫股份有限公司

www.morethanall.com

DRAWING BY CY

CHECKED BY GENIUS

UNIT/mm SCALE 1:1

DATE

SIZE A4

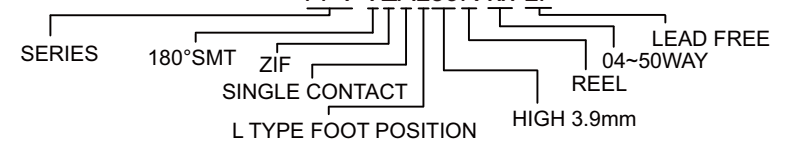
X ±
.X ± 0.15
.XX ± 0.10
.XXX ± 0.05
ANG ±

PJECTION



ORDER INFORMATION

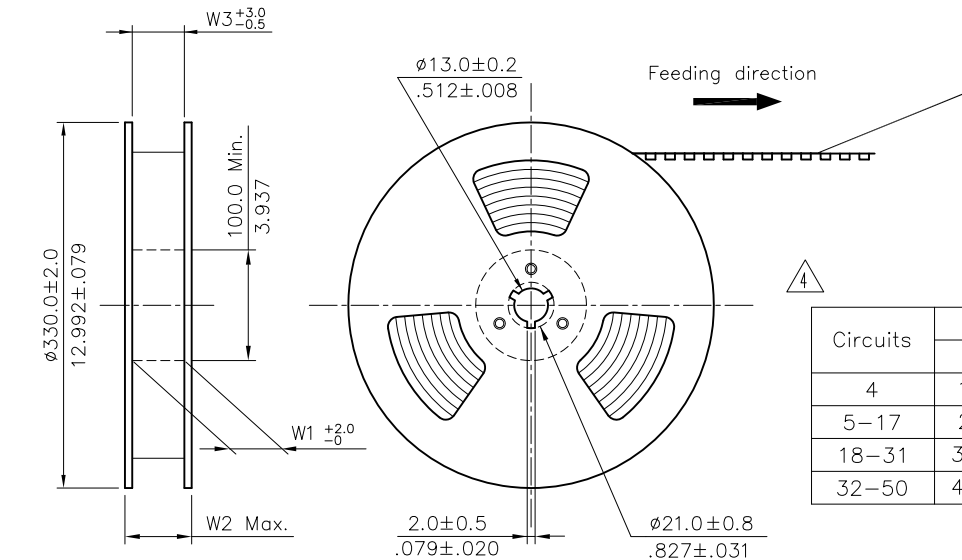
FPV-VZAL39R-xx-LF



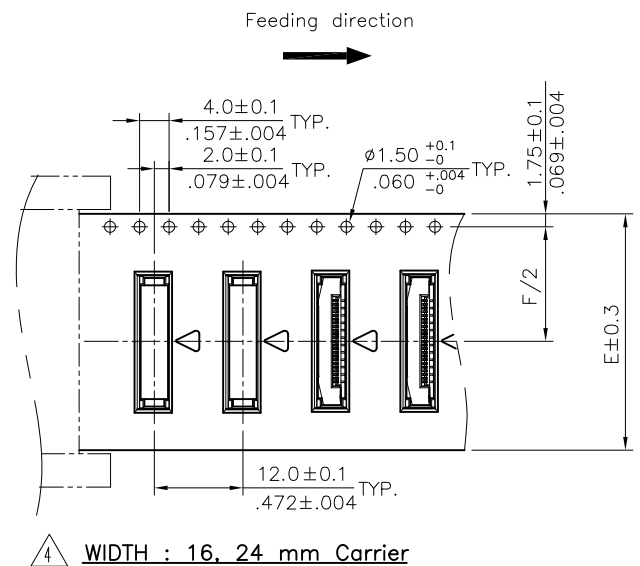
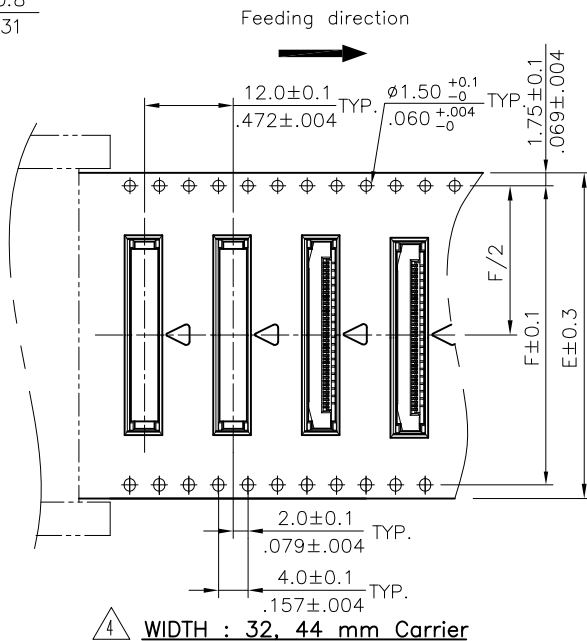
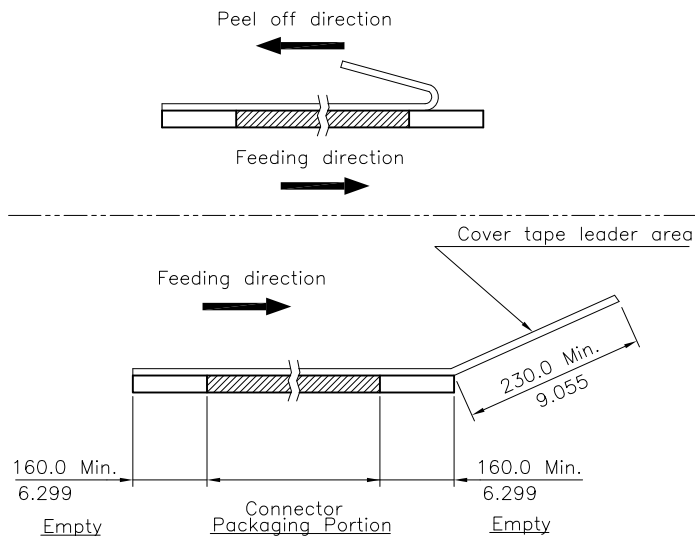
DESCRIPTION:

NOTE :

- * Reel Material : Corrugated Paper
- * Carrier Material : Clear, Conductive Polystyrene Alloy
- * Cover Tape Material : Polyester
- * Cover Tape Peel Strength : 0.1N – 1.3N
- * Carrier camber is within 1mm in 100mm
- * All dimensions meet EIA-481-2 & EIA-481-3 requirements.
- * Quantity : 1000 PCS/Reel



Circuits	Dimension					Packing (Reel/Caton)
	E	F	W1	W2	W3	
4	16.0(.630)	-	16.5(.650)	22.5(.886)	16.5(.650)	11
5-17	24.0(.945)	-	24.5(.965)	30.5(1.200)	24.5(.965)	9
18-31	32.0(1.260)	28.40(1.118)	32.5(1.280)	38.5(1.516)	32.5(1.280)	7
32-50	44.0(1.732)	40.40(1.596)	44.5(1.752)	50.5(1.988)	44.5(1.752)	5



RoHS Compliant

MORETHANALL
PCB CONNECTORS
Cable ASSEMBLIES

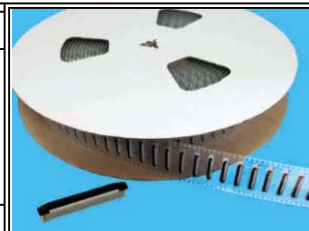
煜倫股份有限公司

www.morethanall.com

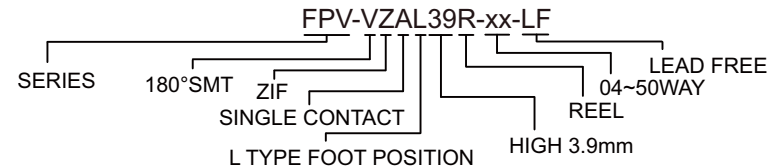
DRAWING BY CY
CHECKED BY GENIUS
UNIT/mm SCALE 1:1
DATE
SIZE A4 PPROJECTION

TOLERANCES ARE

X, ±
.X ± 0.15
.XX ± 0.10
.XXX ± 0.05
ANG ±



ORDER INFORMATION



DESCRIPTION: