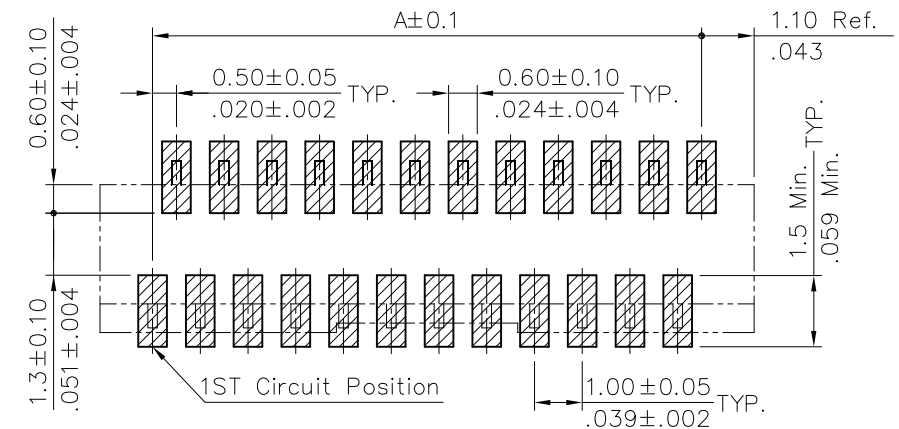
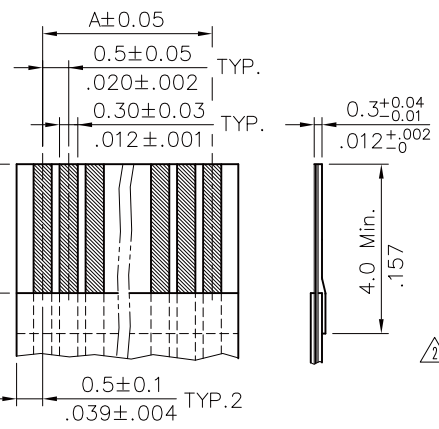
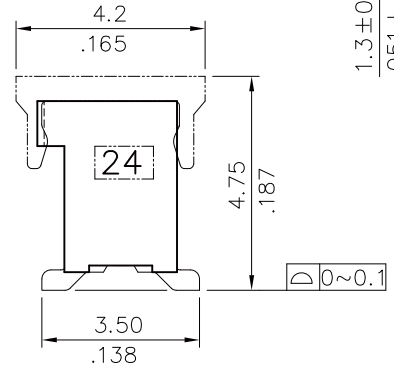
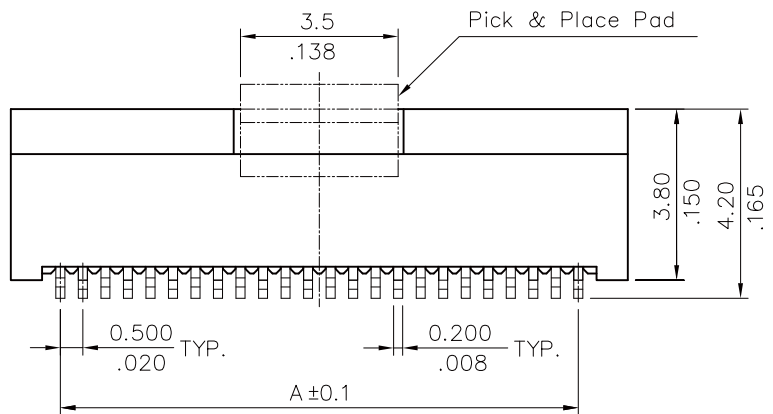


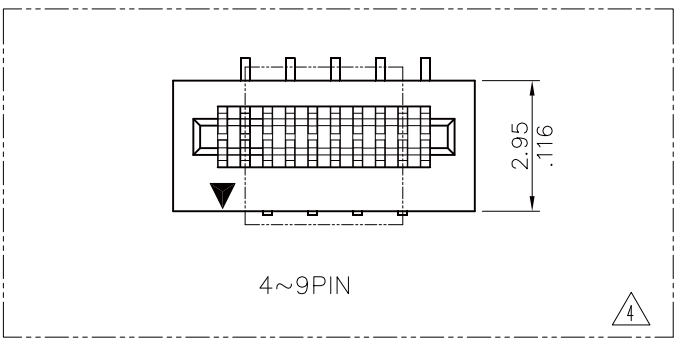
DETAIL "A-A"



Sold Pad Pattern



Accommodated FFC/FPC



Material :

- * Body : NYLON 6T UL 94V-0, Color Nature
- * Contact : Phosphor Bronze

A = 0.50 x No. of Spaces
 B = A + 2.2
 C = A + 1.1

RoHS Compliant

TOLERANCES ARE

MORETHANALL
 PCB CONNECTORS
 Cable ASSEMBLIES
 煜倫股份有限公司
 www.morethanall.com

DRAWING BY CY		X, ± .X ± 0.15 .XX ± 0.10 .XXX ± 0.05 ANG ± 1°
CHECKED BY GENIUS		
UNIT / mm	SCALE 1 : 1	
DATE		
SIZE A4	PJECTION	



ORDER INFORMATION

FPV-VL2L42C-xx-LF
 SERIES | | | | | LEADFREE
 | | | | | 04~53WAY
 180°SMT | | | | | CAP
 NON ZIF | | | | | HIGH 4.2mm
 | | | | | L TYPE FOOT POSITION
 | | | | | DUAL CONTACT

DESCRIPTION: