

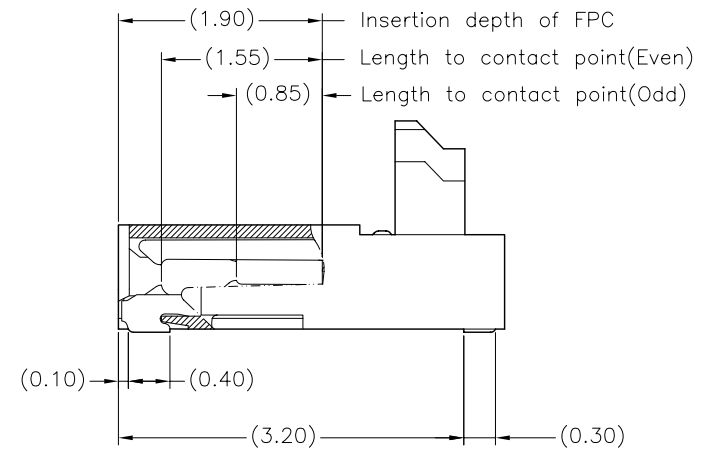
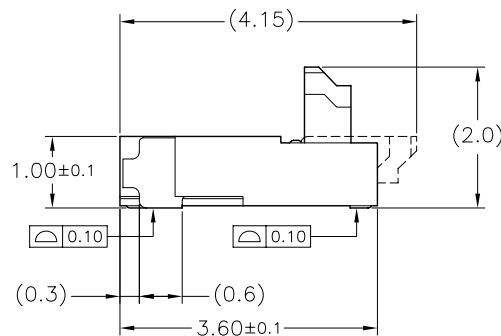
NOTE:

1. MATERIAL:

HOUSING:LCP(UL 94V-0)
 ACTUATOR:LCP(UL 94V-0)
 TERMINAL:PHOSPHOR BRONZE
 STOPPER:PHOSPHOR BRONZE

2. PLATING:

TERMINAL:SEE ORDERING INFORMATION
 STOPPER:TIN OVER NICKEL(LEAD FREE)



SECT: x-x'
 SCALE 15:1

No. of Contacts	DIM. A	DIM. B	DIM. C	DIM. D	DIM. E
09	4.9	1.8	2.4	3.03	4.35
11	5.5	2.4	3.0	3.63	4.95
13	6.1	3.0	3.6	4.23	5.55
15	6.7	3.6	4.2	4.83	6.15
17	7.3	4.2	4.8	5.43	6.75
19	7.9	4.8	5.4	6.03	7.35
21	8.5	5.4	6.0	6.63	7.95
23	9.1	6.0	6.6	7.23	8.55
25	9.7	6.6	7.2	7.83	9.15
27	10.3	7.2	7.8	8.43	9.75
29	10.9	7.8	8.4	9.03	10.35

RoHS Compliant

TOLERANCES ARE

MORETHANALL
 PCB CONNECTORS
 Cable ASSEMBLIES

DRAWING BY CY

CHECKED BY GENIUS

UNIT / mm

SCALE 1 : 1

DATE

SIZE A4

PPOJECTION

X, ±
 X, ±
 .XX ±
 .XXX ±
 ANG ±

照片框

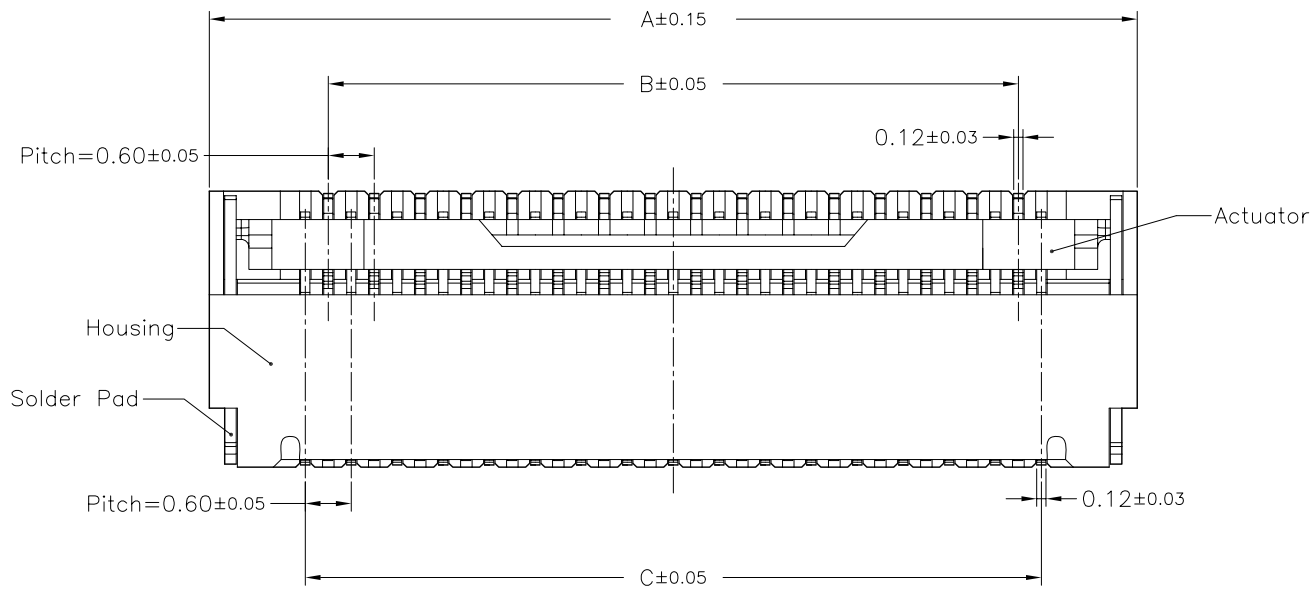
ORDER INFORMATION

FPT-WRD10-xx-LF
 SERIES | | | | | LEADFREE
 | | | | | 09-71WAY
 | | | | | HIGH 1.0mm
 | | | | | DUAL CONTACTS
 | | | | | ROTARY ZIF
 | | | | | 90°SMT

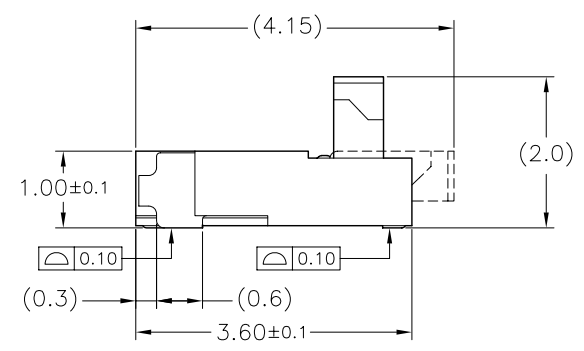
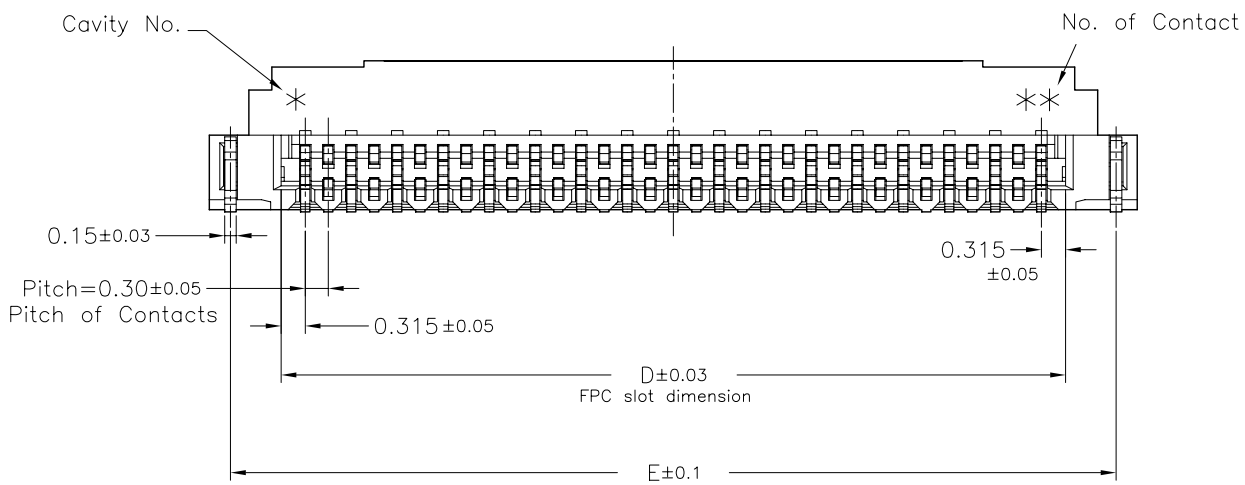
DESCRIPTION: 0.3mm Pitch FPC Conn. (H=1.0)

煜倫股份有限公司

www.morethanall.com



No. of Contacts	DIM. A	DIM. B	DIM. C	DIM. D	DIM. E
31	11.5	8.4	9.0	9.63	10.95
33	12.1	9.0	9.6	10.23	11.55
35	12.7	9.6	10.2	10.83	12.15
37	13.3	10.2	10.8	11.43	12.75
39	13.9	10.8	11.4	12.03	13.35
41	14.5	11.4	12.0	12.63	13.95
43	15.1	12.0	12.6	13.23	14.55
45	15.7	12.6	13.2	13.83	15.15
49	16.9	13.8	14.4	15.03	16.35
51	17.5	14.4	15.0	15.63	16.95
57	19.3	16.2	16.8	17.43	18.75
61	20.5	17.4	18.0	18.63	19.95
67	22.3	19.2	19.8	20.43	21.75
71	23.5	20.4	21.0	21.63	22.95



RoHS Compliant

TOLERANCES ARE

MORETHANALL
PCB CONNECTORS
Cable ASSEMBLIES

DRAWING BY CY

X.±

CHECKED BY GENIUS

.X±

UNIT / mm

SCALE 1 : 1

.XX±

DATE

.XXX±

SIZE A4

PPOJECTION

ANG±

照片框

ORDER INFORMATION

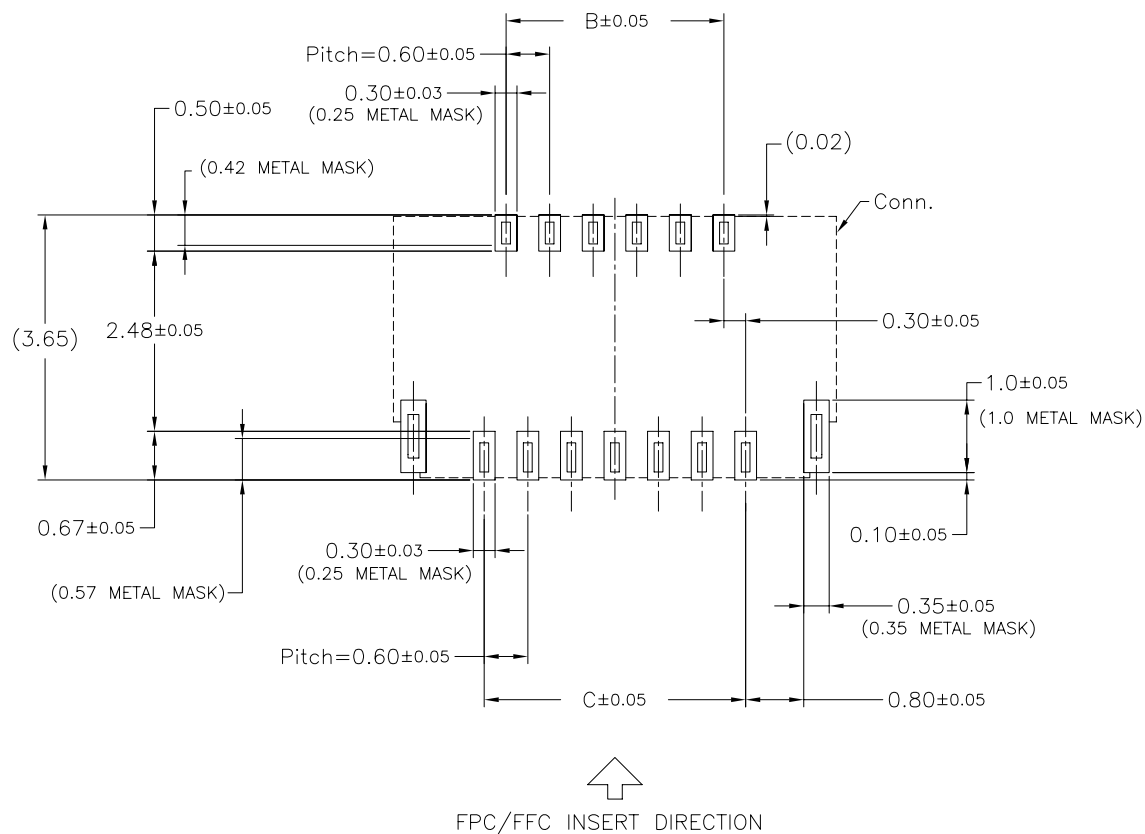
FPT-WRD10-xx-LF
SERIES | | | LEADFREE
| | | 09-71WAY
| | | HIGH 1.0mm
| | | DUAL CONTACTS
| | | ROTARY ZIF
| | | 90°SMT

DESCRIPTION: 0.3mm Pitch FPC Conn. (H=1.0)

煜倫股份有限公司

www.morethanall.com

Recommended metal mask pattern(thickness 0.1mm)



PCB Layout

No. of Contacts	DIM. B	DIM. C
09	1.8	2.4
11	2.4	3.0
13	3.0	3.6
15	3.6	4.2
17	4.2	4.8
19	4.8	5.4
21	5.4	6.0
23	6.0	6.6
25	6.6	7.2
27	7.2	7.8
29	7.8	8.4
31	8.4	9.0
33	9.0	9.6
35	9.6	10.2
37	10.2	10.8
39	10.8	11.4
41	11.4	12.0
43	12.0	12.6
45	12.6	13.2
49	13.8	14.4
51	14.4	15.0
57	16.2	16.8
61	17.4	18.0
67	19.2	19.8
71	20.4	21.0

RoHS Compliant

TOLERANCES ARE

MORETHANALL
PCB CONNECTORS
Cable ASSEMBLIES

DRAWING BY CY

CHECKED BY GENIUS

UNIT / mm SCALE 1 : 1

DATE

SIZE A4 PPROJECTION

X.±
X±
.XX±
.XXX±
ANG±

照片框

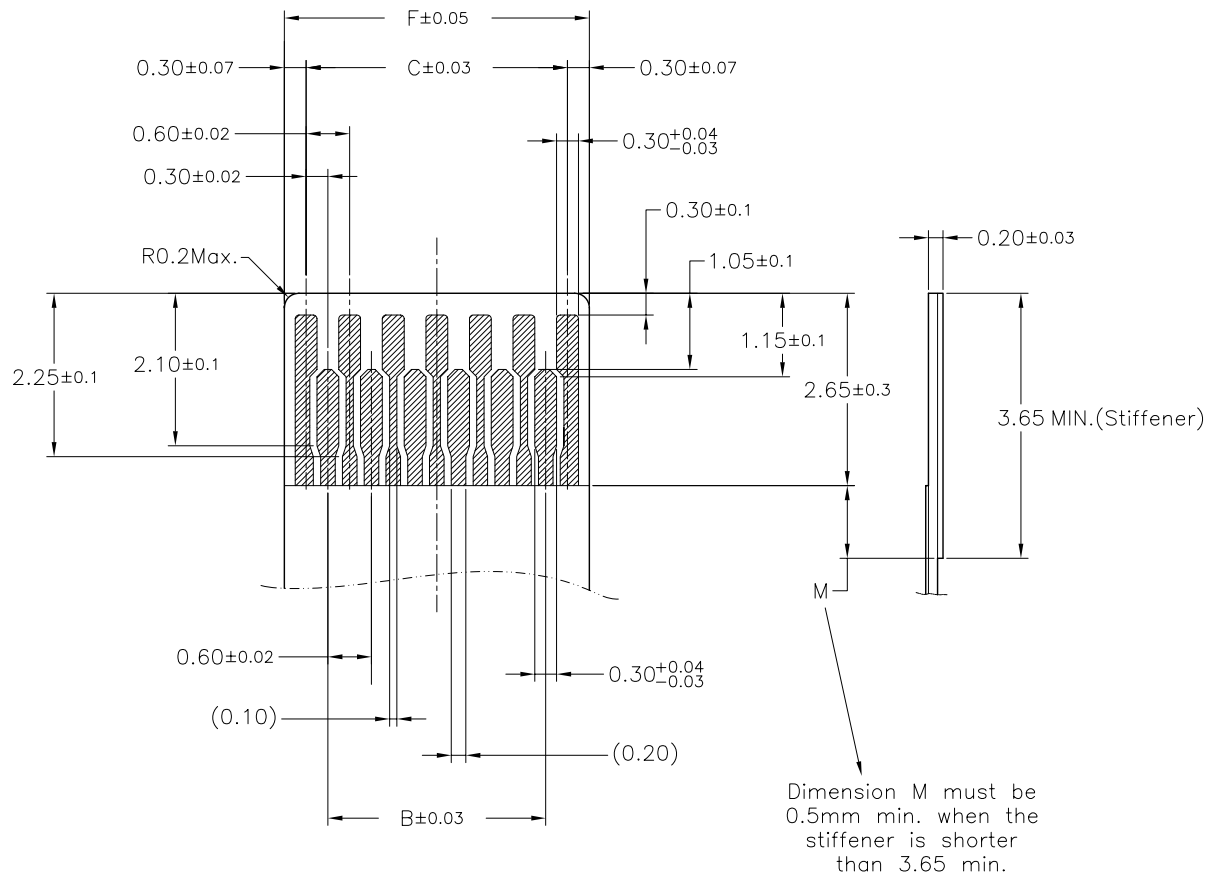
ORDER INFORMATION

FPT-WRD10-xx-LF
SERIES | | | | LEADFREE
| | | | 09-71WAY
| | | | HIGH 1.0mm
| | | | DUAL CONTACTS
| | | | ROTARY ZIF
| | | | 90°SMT

DESCRIPTION: 0.3mm Pitch FPC Conn. (H=1.0)

煜倫股份有限公司

www.morethanall.com



No.of Contacts	DIM. B	DIM. C	DIM. F
09	1.8	2.4	3.0
11	2.4	3.0	3.6
13	3.0	3.6	4.2
15	3.6	4.2	4.8
17	4.2	4.8	5.4
19	4.8	5.4	6.0
21	5.4	6.0	6.6
23	6.0	6.6	7.2
25	6.6	7.2	7.8
27	7.2	7.8	8.4
29	7.8	8.4	9.0
31	8.4	9.0	9.6
33	9.0	9.6	10.2
35	9.6	10.2	10.8
37	10.2	10.8	11.4
39	10.8	11.4	12.0
41	11.4	12.0	12.6
43	12.0	12.6	13.2
45	12.6	13.2	13.8
49	13.8	14.4	15.0
51	14.4	15.0	15.6
57	16.2	16.8	17.4
61	17.4	18.0	18.6
67	19.2	19.8	20.4
71	20.4	21.0	21.6

Applicable FPC

RoHS Compliant

TOLERANCES ARE

MORETHANALL
PCB CONNECTORS
Cable ASSEMBLIES

DRAWING BY CY

CHECKED BY GENIUS

UNIT / mm

SCALE 1 : 1

DATE

SIZE A4

X.±
.X±
.XX±
.XXX±
ANG±

PPOJECTION

照片框

ORDER INFORMATION

FPT-WRD10-xx-LF
SERIES | | | | LEADFREE
| | | | 09-71WAY
| | | | HIGH 1.0mm
| | | | DUAL CONTACTS
| | | | ROTARY ZIF
| | | | 90°SMT

DESCRIPTION: 0.3mm Pitch FPC Conn. (H=1.0)

煜倫股份有限公司

www.morethanall.com