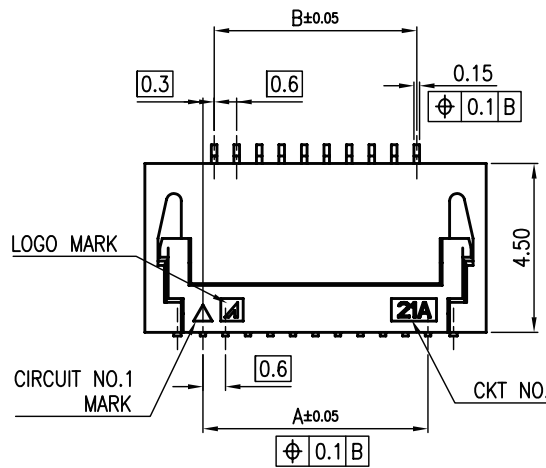
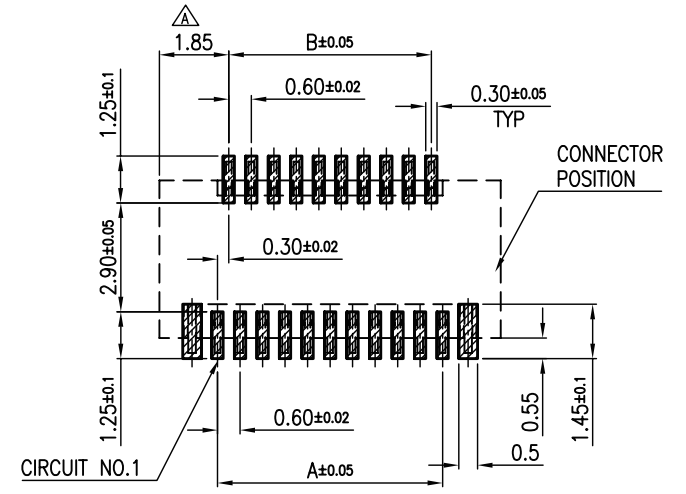
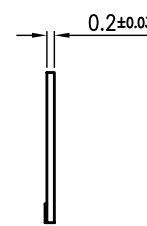
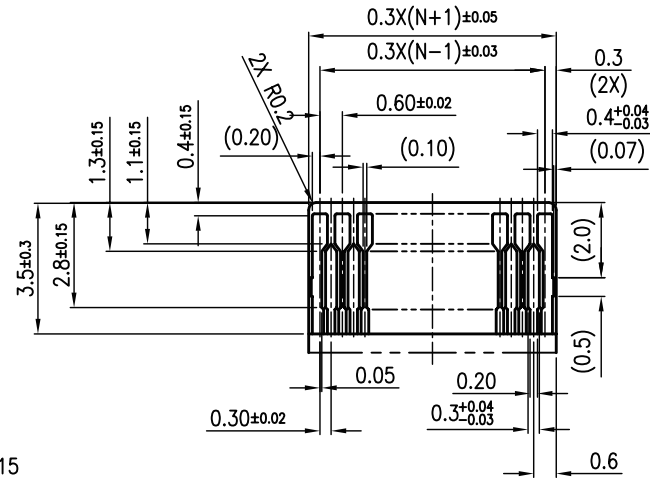
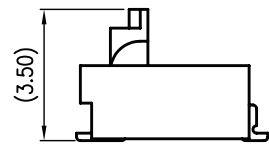


NOTES:

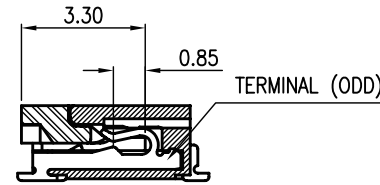
1. MATERIAL:
HOUSING:HIGH TEMP THERMO PLASTIC
ACTUATOR:HIGH TEMP THERMO PLASTIC
TERMINAL:COPPER ALLOY
FITTING NAIL:COPPER ALLOY
2. PLATING PLS. SEE ACES PLATING CODE (P/N LEADENG)
3. COPLANARITY 0.1 MM MAX. BASE ON DATUM A
4. TRUE POSITION 0.1 MM MAX. BAES ON DATUM B



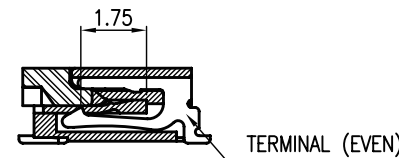
RECOMMENDED APPLICABLE FPC LAYOUT
(THICKNESS: 0.2 ± 0.03)



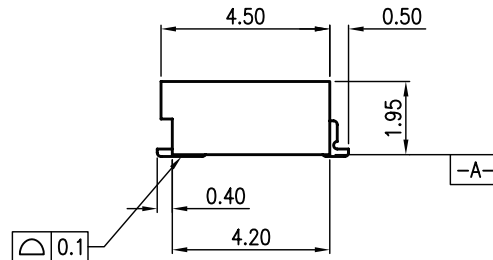
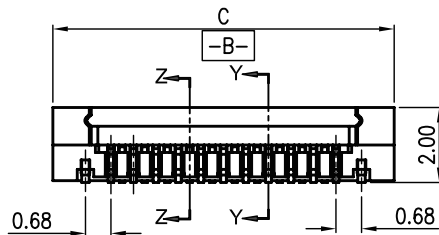
ACTUATOR OPEN STATE



SEC. Y-Y



SEC. Z-Z



CKT	Dim A	Dim B	Dim C
11	3.0	2.4	6.1
15	4.2	3.6	7.3
17	4.8	4.2	7.9
21	6.0	5.4	9.1
25	7.2	6.6	10.3
27	7.8	7.2	10.9
31	9.0	8.4	12.1
33	9.6	9.0	12.7
35	10.2	9.6	13.3
37	10.8	10.2	13.9
39	11.4	10.8	14.5
45	13.2	12.6	16.3
51	15.0	14.4	18.1
61	18.0	17.4	21.1

RoHS Compliant

TOLERANCES ARE

MORETHANALL
PCB CONNECTORS
Cable ASSEMBLIES

DRAWING BY CY

X, ±

CHECKED BY GENIUS

.X ±

UNIT / mm

SCALE 1 : 1

.XX ±

DATE

.XXX ±

SIZE A4

P PROJECTION

ANG ±

照片框

ORDER INFORMATION

FPT-WHB19-xx-LF

SERIES

LEADFREE

11~61WAY

HIGH 1.95mm

BOTTOM CONTACT

HINGED ZIF

90°SMT

煜倫股份有限公司

www.morethanall.com

DESCRIPTION: 0.3mm FPC EASY ON CONN. SMT R/A TYPE