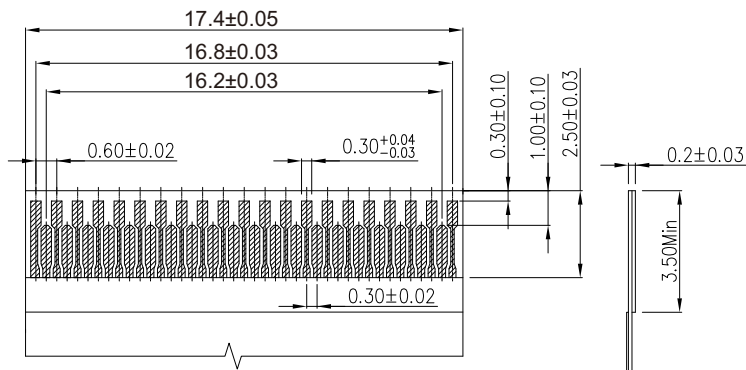
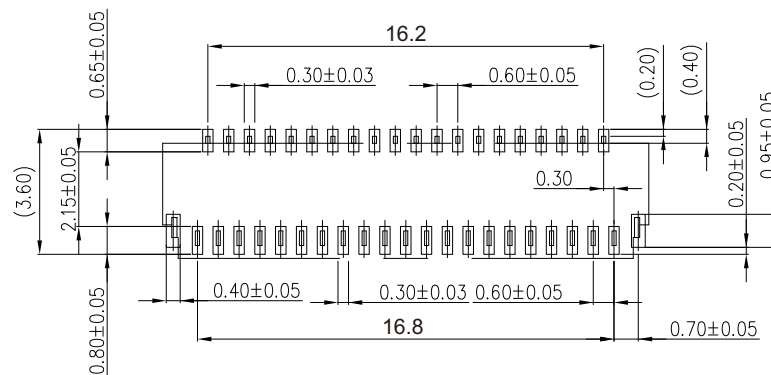


SECTION: A-A
3:1



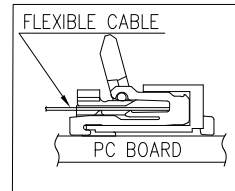
RECOMMENDED FPC DIMENSIONS



FPC/FFC Insert Direction
Recommended P.C.B Layout

SPEC :

- 1.Housing:High -Temp Plastic,UL94-V
Color:Nature(Ivory)
- 2.Locker:High -Temp Plastic,UL94-V
Color:Black
- 3.Contact:Phosphor Bronze
Initial:30m Ohms Max.
Voltage Rating:50V AC,DC
- 4.Solder Tab:BRASS
- 5.Temperature Rating:-55°C~+85°C
- 6.Dielectric Withstanding Voltage:500V AC/Min



RoHS Compliant

TOLERANCES ARE



煜倫股份有限公司

www.morethanall.com

DRAWING BY CY

CHECKED BY GENIUS

UNIT / mm

SCALE 1 : 1

DATE

SIZE A4

X, ±
.X ± 0.30
.XX ± 0.20
.XXX ± 0.10
ANG ±

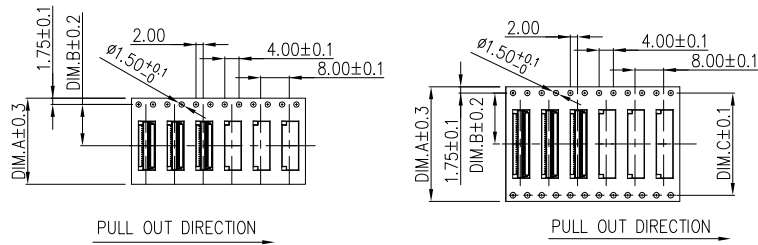
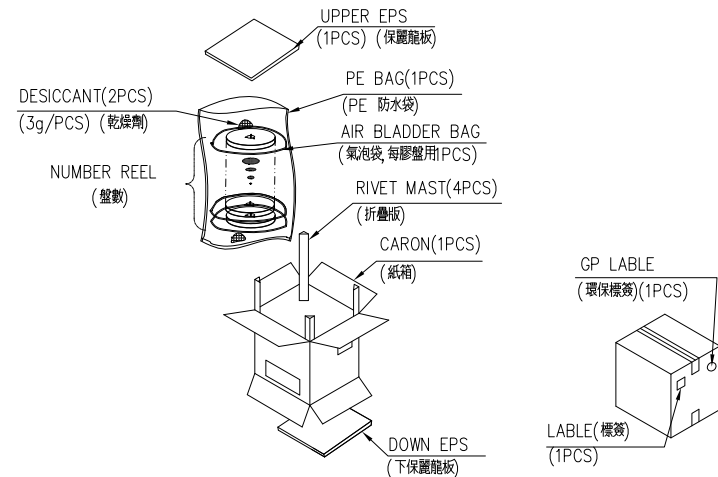
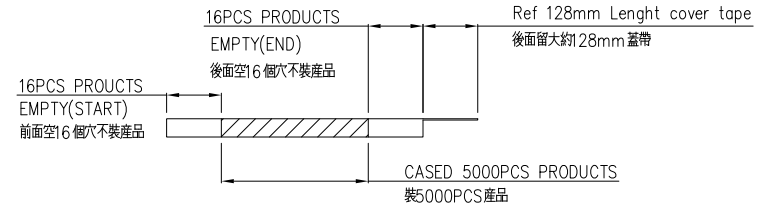
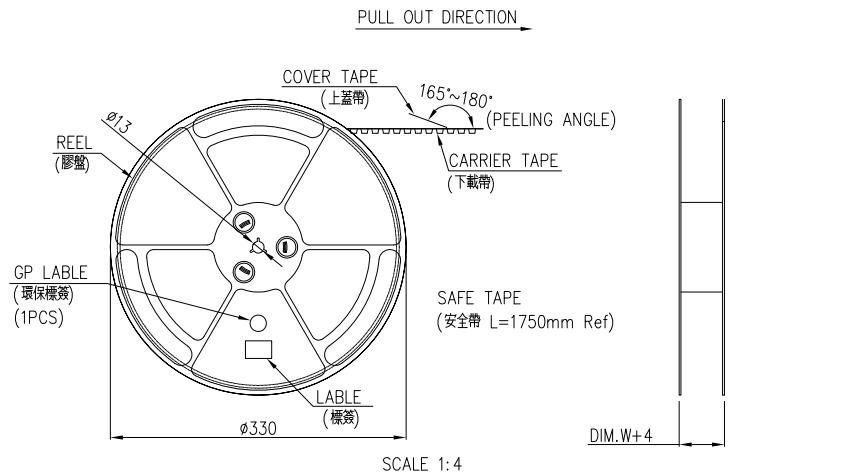
PJECTION

照片框

ORDER INFORMATION

FPT-WHB10R-57-LF
SERIES | | | LEADFREE
| | | 57 WAY
| | | REEL
| | | HIGH 1.0mm
90°SMT | | | BOTTOM CONTACT
| | | HINGED ZIF

DESCRIPTION: FPC 0.3PH 1.0H 掀蓋臥貼前插



- NOTE:
- 1.10 Sprocket hole pitch cumulative tolerance ± 0.20
 2. Carri camber is within 1mm in 100mm
 3. Material: black conductive polystyrene alloy
 4. Material Thickness: 0.3 ± 0.05 mm
 5. All dimensions meet EIA-481-B requirements
 6. 5000pcs Pef Reel
 7. For tape width(dim W)16 and 24mm pilot holes are provided on one sides
For tape width(dim W)32,44 and 56mm pilot holes are provided on both sides

PIN NO.	DIMA	DIM.B	DIM.C	DIM.W	PCS/REEL	REEL/CARTON	SUM(PCS)
57	32	14.2	28.4	36.5	5000	8	40000

RoHS Compliant

TOLERANCES ARE

MORETHANALL
PCB CONNECTORS
Cable ASSEMBLIES

煜倫股份有限公司

www.morethanall.com

DRAWING BY CY

CHECKED BY GENIUS

UNIT / mm

SCALE 1 : 1

DATE

SIZE A4

PJECTION

X, \pm
.X \pm 0.30
.XX \pm 0.20
.XXX \pm 0.10
ANG \pm

照片框

ORDER INFORMATION

FPT-WHB10R-57-LF
SERIES | | | | LEADFREE
57 WAY
REEL
HIGH 1.0mm
90°SMT | | | | BOTTOM CONTACT
HINGED ZIF

DESCRIPTION: FPC 0.3PH 1.0H 掀蓋臥貼前插包裝圖