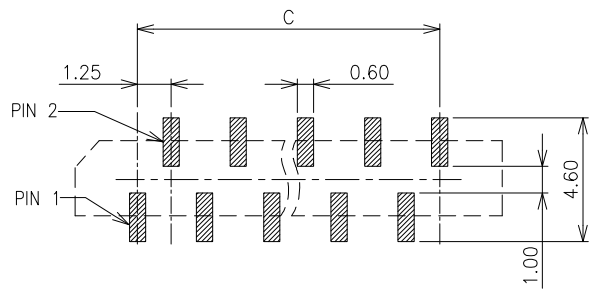
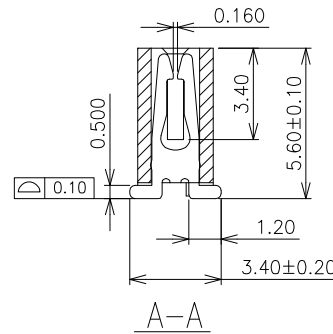
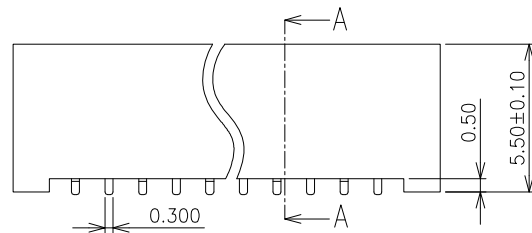


NOTE:

- MATERIAL
HOUSING: GLASS-REINFORCED THERMOPLASTIC UL 94V-0.
CONTACT: COPPER ALLOY.
PLATING: TIN PLATED OVER NICKEL.
- ELECTRICAL
CURRENT RATING: 1.0AMP.
DIELECTRIC WITHSTANDING VOLTAGE: 500V AC MIN.
INSULATION RESISTANCE: 500MΩ MIN.
CONTACT RESISTANCE: 30mΩ MAX.
- ENVIRONMENTAL
TEMPERATURE RANGE: -25°C TO 85°C.



RECOMMENDED PCB LAYOUT

■ DIMENSION TABLE

| Circuits | Dimension | | | Circuits | Dimension | | |
|----------|-----------|-------|-------|----------|-----------|-------|-------|
| | A | B | C | | A | B | C |
| 2 | 5.90 | 3.80 | 1.25 | 20 | 28.40 | 26.30 | 23.75 |
| 3 | 7.15 | 5.05 | 2.50 | 21 | 29.65 | 27.55 | 25.00 |
| 4 | 8.40 | 6.30 | 3.75 | 22 | 30.90 | 28.80 | 26.25 |
| 5 | 9.65 | 7.55 | 5.00 | 23 | 32.15 | 30.05 | 27.50 |
| 6 | 10.90 | 8.80 | 6.25 | 24 | 33.40 | 31.30 | 28.75 |
| 7 | 12.15 | 10.05 | 7.50 | 25 | 34.65 | 32.55 | 30.00 |
| 8 | 13.40 | 11.30 | 8.75 | 26 | 35.90 | 33.80 | 31.25 |
| 9 | 14.65 | 12.55 | 10.00 | 27 | 37.15 | 35.05 | 32.50 |
| 10 | 15.90 | 13.80 | 11.25 | 28 | 38.40 | 36.30 | 33.75 |
| 11 | 17.15 | 15.05 | 12.50 | 29 | 39.65 | 37.55 | 35.00 |
| 12 | 18.40 | 16.30 | 13.75 | 30 | 40.90 | 38.80 | 36.25 |
| 13 | 19.65 | 17.55 | 15.00 | 31 | 42.15 | 40.05 | 37.50 |
| 14 | 20.90 | 18.80 | 16.25 | 32 | 43.40 | 41.30 | 38.75 |
| 15 | 22.15 | 20.05 | 17.50 | 33 | 44.65 | 42.55 | 40.00 |
| 16 | 23.40 | 21.30 | 18.75 | 34 | 45.90 | 43.80 | 41.25 |
| 17 | 24.65 | 22.55 | 20.00 | 35 | 47.15 | 45.05 | 42.50 |
| 18 | 25.90 | 23.80 | 21.25 | 36 | 48.40 | 46.30 | 43.75 |
| 19 | 27.15 | 25.05 | 22.50 | | | | |

RoHS Compliant

TOLERANCES ARE

MORETHANALL
PCB CONNECTORS
Cable ASSEMBLIES

煜倫股份有限公司

www.morethanall.com

DRAWING BY CY

CHECKED BY GENIUS

UNIT / mm SCALE 1 : 1

DATE

SIZE A4

X, ±
.X ± 0.30
.XX ± 0.20
.XXX ± 0.10
ANG ±

PJECTION

照片框

ORDER INFORMATION

FPB-VL2L56-xx-LF
SERIES | | | | LEADFREE
180°SMT | | | | 02~36WAY
HIGH 5.6mm
L TYPE FOOT
DUAL CONTACT
NON ZIF

DESCRIPTION: 1.25PH 5.6H 無蓋斜角立貼雙接正腳位