

Detail A  
Without cover

**Material:**

Housing: Thermoplastic Polyester Glass Filled UL94V-0.

Contacts: Copper Alloy.

**Electrical Characteristics:**

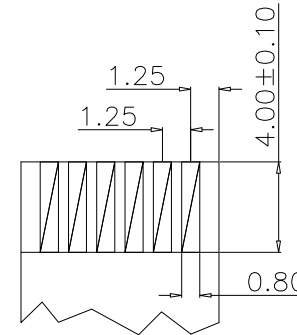
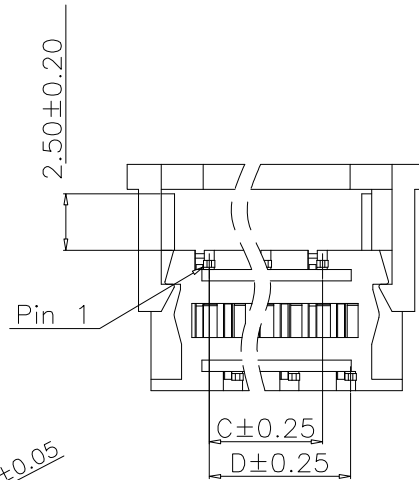
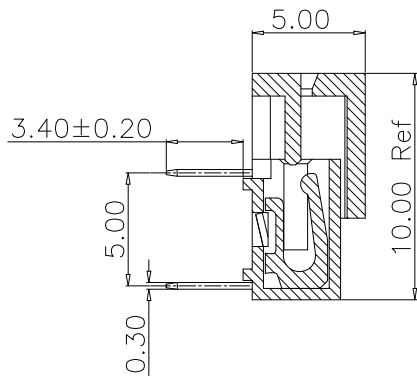
Current Rating: 1 AMP.

Dielectric Withstanding Voltage: AC 500V For 1 minute.

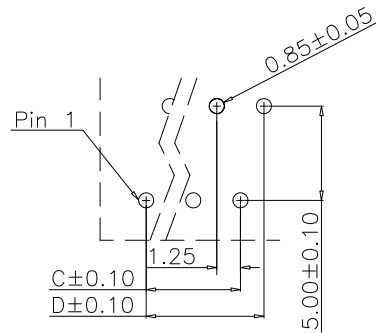
Insulator Resistance: 1000MΩ min. at DC 500V.

Contact Resistance: 20mΩ max. at DC 100mA.

Operating Temperature: -55°C~+105°C.



FFC/FPC Dimension  
Thickness 0.3±0.05mm



P.C. Board Layout  
(Top View)

Position Dimension	3 Thru 40
A	No. of Positions X 1.25+5.7
B	No. of Positions X 1.25+1.47
C	No. of Positions X 1.25-1.25
D	No. of Positions X 1.25-1.25

**RoHS Compliant**

TOLERANCES ARE



煜倫股份有限公司

www.morethanall.com

DRAWING BY CY

CHECKED BY GENIUS

UNIT / mm SCALE 1 : 1

DATE

SIZE A4

X, ±  
.X ± 0.30  
.XX ± 0.20  
.XXX ± 0.10  
ANG ± 1°

P PROJECTION

照片框

**ORDER INFORMATION**

FPB-RZAL-xx-LF

SERIES | | | | LEADFREE  
03~40WAY  
L TYPE FOOT POSITION  
SINGLE CONTACT  
ZIF  
DIP 90°

DESCRIPTION: FPC 1.25PH 5.0H 抽屜彎插上接正腳