

CAP PLACEMENT DIAGRAM

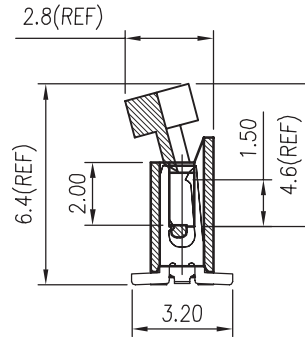
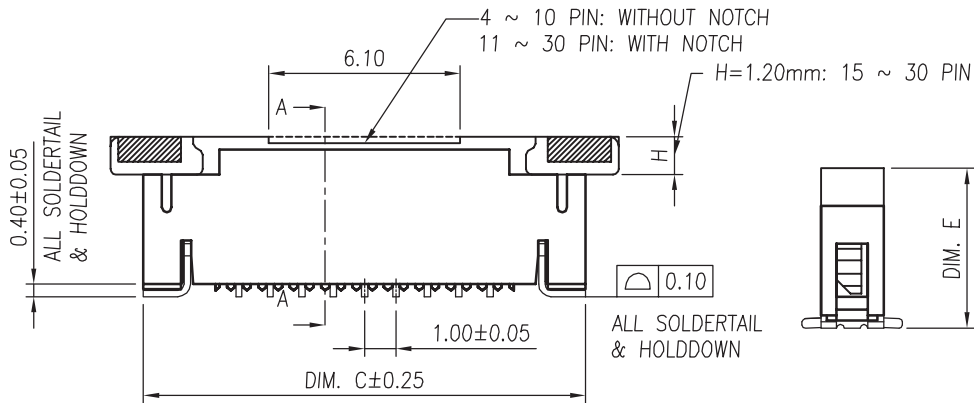
NOTE:

1.MATERIAL:

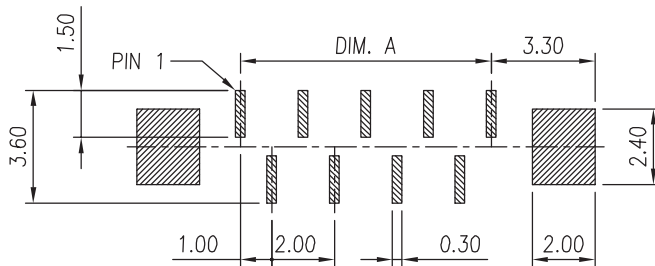
HOUSING: PA46, UL94V-0. COLOR: NATURAL.
 ACTUATOR: PA9T, UL94V-0. COLOR: BLACK.
 TERMINAL: PHOSPHOR BRONZE.
 HOLDDOWN: BRASS.
 CAP: LCP,UL94V-0. COLOR: BLACK.

2.FINISH:

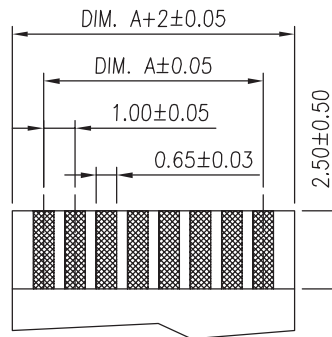
TERMINAL: 100u" MIN. TIN PLATING OR G/F GOLD PLATING WITH 50u" MIN. NICKEL UNDERPLATED OVERALL.
 HOLDDOWN:100u" MIN. TIN PLATING WITH 50u" MIN. NICKEL UNDERPLATED OVERALL.



SECTION A-A



RECOMMENDED PCB LAYOUT
TOLERANCE: ±0.05



FFC/FPC DIMENSION
THICKNESS 0.30±0.03 mm

■ DIMENSION TABLE

| Pos. | Dimension | | | | |
|------|-----------|-------|-------|-------|------|
| | A | B | C | D | E |
| 15 | 14.00 | 16.10 | 20.10 | 22.20 | 5.10 |
| 16 | 15.00 | 17.10 | 21.10 | 23.20 | 5.10 |
| 17 | 16.00 | 18.10 | 22.10 | 24.20 | 5.10 |
| 18 | 17.00 | 19.10 | 23.10 | 25.20 | 5.10 |
| 19 | 18.00 | 20.10 | 24.10 | 26.20 | 5.10 |
| 20 | 19.00 | 21.10 | 25.10 | 27.20 | 5.10 |
| 21 | 20.00 | 22.10 | 26.10 | 28.20 | 5.10 |
| 22 | 21.00 | 23.10 | 27.10 | 29.20 | 5.10 |
| 23 | 22.00 | 24.10 | 28.10 | 30.20 | 5.10 |
| 24 | 23.00 | 25.10 | 29.10 | 31.20 | 5.10 |
| 25 | 24.00 | 26.10 | 30.10 | 32.20 | 5.10 |
| 26 | 25.00 | 27.10 | 31.10 | 33.20 | 5.10 |
| 27 | 26.00 | 28.10 | 32.10 | 34.20 | 5.10 |
| 28 | 27.00 | 29.10 | 33.10 | 35.20 | 5.10 |
| 29 | 28.00 | 30.10 | 34.10 | 36.20 | 5.10 |
| 30 | 29.00 | 31.10 | 35.10 | 37.20 | 5.10 |

RoHS Compliant



煜倫股份有限公司

www.morethanall.com

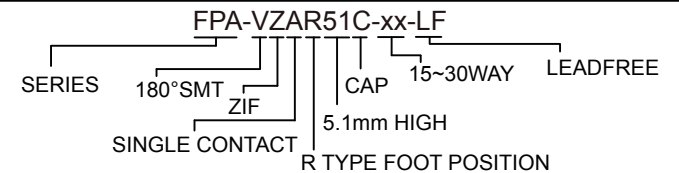
DRAWING BY CY
 CHECKED BY GENIUS
 UNIT/ mm SCALE 1:1
 DATE
 SIZE A4 PPROJECTION

TOLERANCES ARE

X. ± 0.40
 .X ± 0.30
 .XX ± 0.20
 .XXX ± 0.10
 ANG ±

照片框

ORDER INFORMATION



DESCRIPTION: FPC/FFC 1.0mm PITCH 7IF SMT TYPE CONNECTOR