

Material:

* Insulation: Nylon 6T UL 94V-0
Color Nature

△ * Slider: Nylon 6T UL 94V-0
Color Black

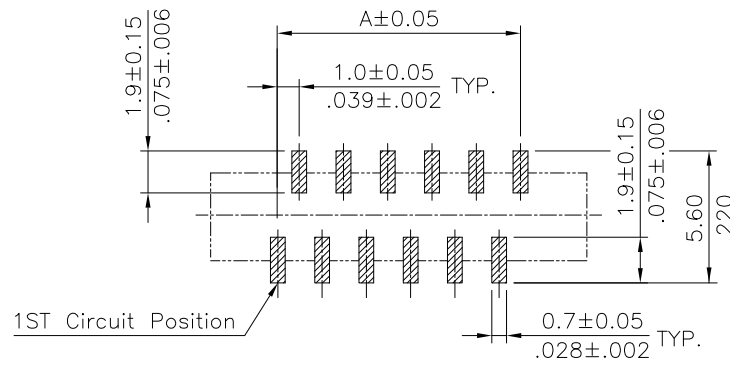
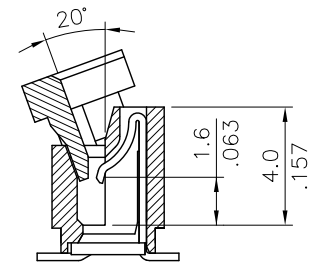
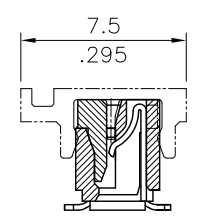
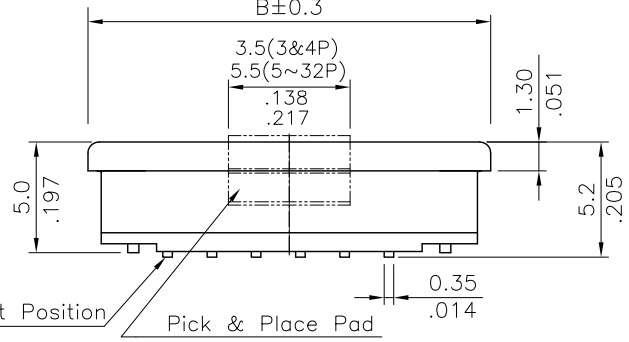
* Contact: Phosphor Bronze

A = 1.00 * No. of Spaces

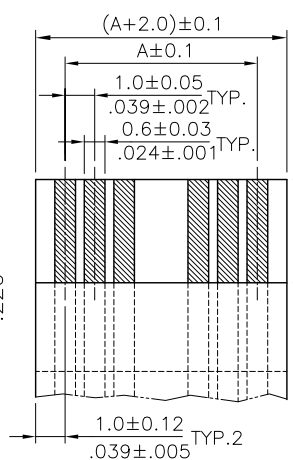
B = A + 7.2

C = A + 2.1

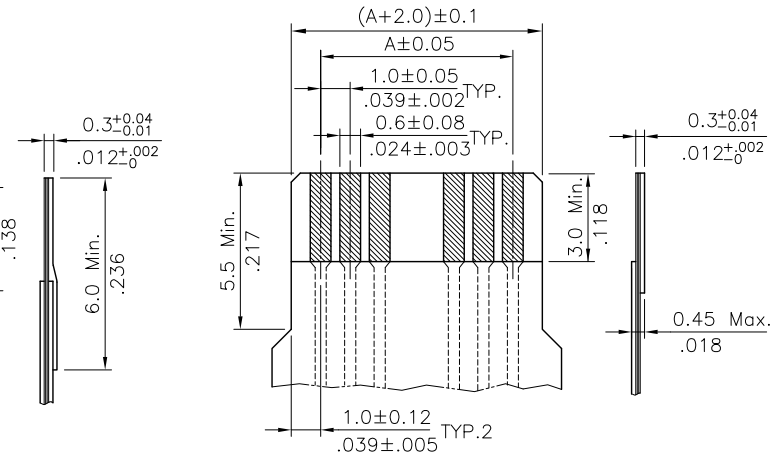
* Available in 4 through 32 circuits



Recommended P.C. Board Layout



* ACCOMMODATED FFC



* ACCOMMODATED FPC



煜倫股份有限公司

www.morethanall.com

RoHS Compliant

DRAWING BY CY

CHECKED BY GENIUS

UNIT / mm

SCALE 1 : 1

DATE

SIZE A4

TOLERANCES ARE

X, ±
.X ±
.XX ±
.XXX ±
ANG ±

PPOJECTION

照片框

ORDER INFORMATION

FPA-VZAL52C-xx-LF
SERIES | | | | | LEAD FREE
180°SMT | | | | | 04~32WAY
ZIF | | | | | CAP
HIGH 5.2mm
L TYPE FOOT POSITION
SINGLE CONTACT

DESCRIPTION: