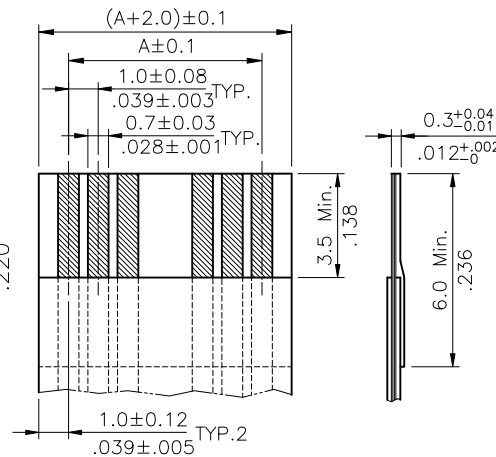
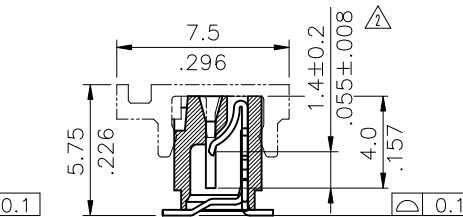


Sold Pad Pattern



* ACCOMMODATED FFC

Notes:

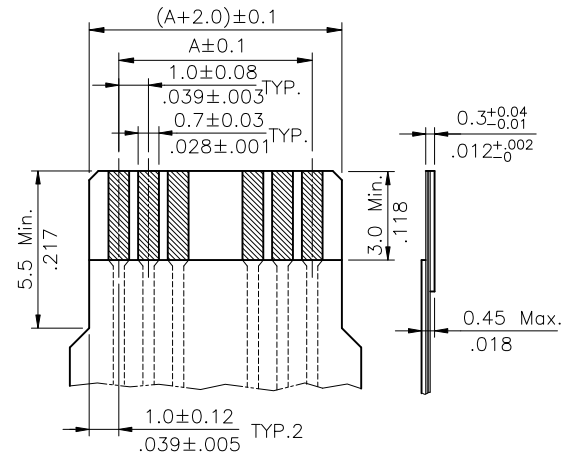
- * Insulation: Nylon 6T UL 94V-0 (Halogen-Free)
- * Contact: Phosphor Bronze
- * PAD: Nylon 6T UL 94V-0, Color Black(Halogen-Free)
- * For Lead-Free IR Reflow process

A = 1.00 x No. of Spaces

B = A + 6.0

C = A + 2.1

- * Available in 3 through 32 circuits



* ACCOMMODATED FPC

RoHS Compliant

TOLERANCES ARE



煜倫股份有限公司

www.morethanall.com

DRAWING BY CY

CHECKED BY GENIUS

UNIT / mm

SCALE 1 : 1

DATE

SIZE A4

PJECTION

X, ±
X ± 0.15
.XX ± 0.10
.XXX ± 0.05
ANG ±

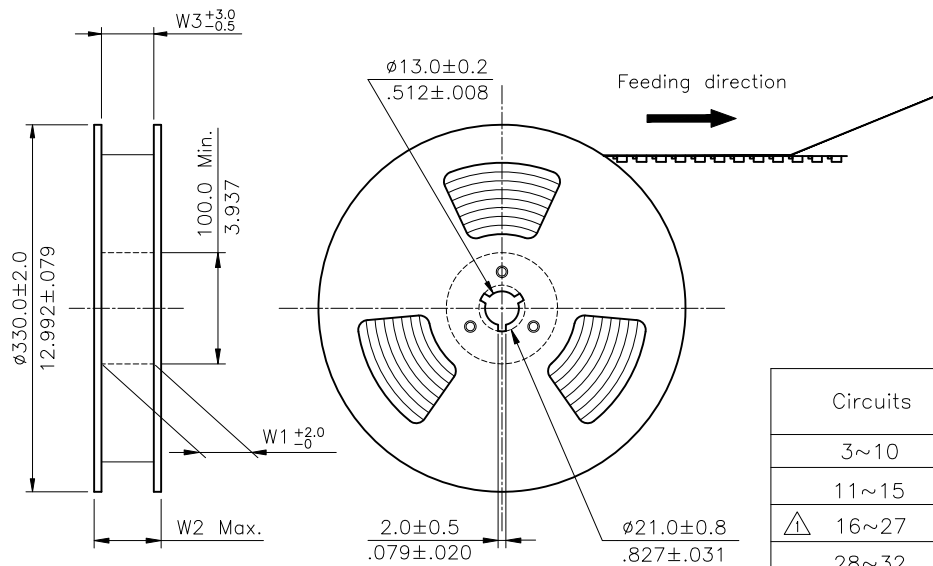
照片框

ORDER INFORMATION

FPA-VLAL50CR-xx-LF

SERIES | | | | | LEAD FREE
180°SMT | | | | | 04~32WAY
NON ZIF | | | | | REEL
SINGLE CONTACT | | | | | MYLAR
HIGH 5.0mm
L TYPE FOOT

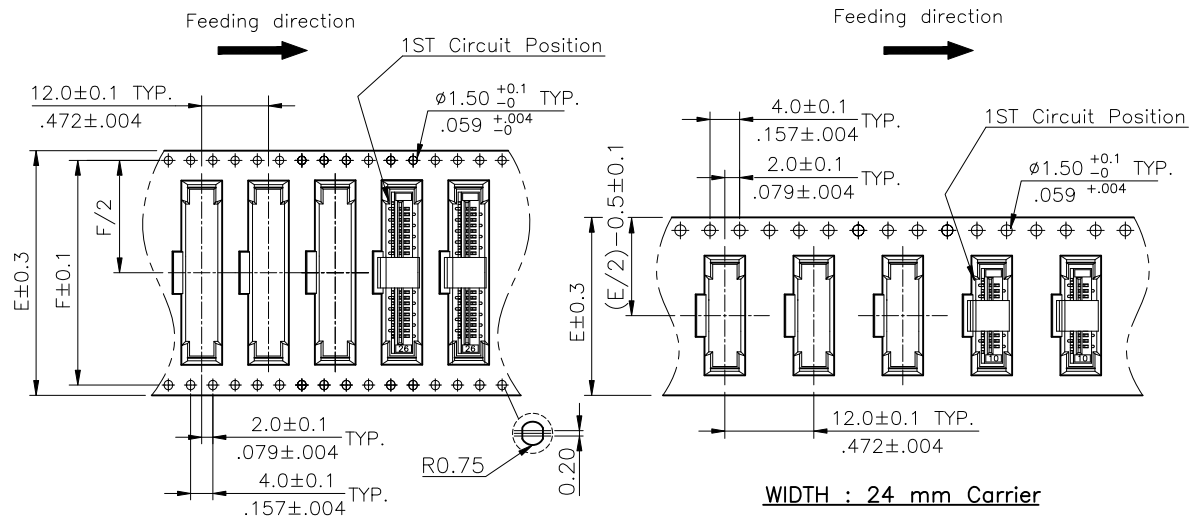
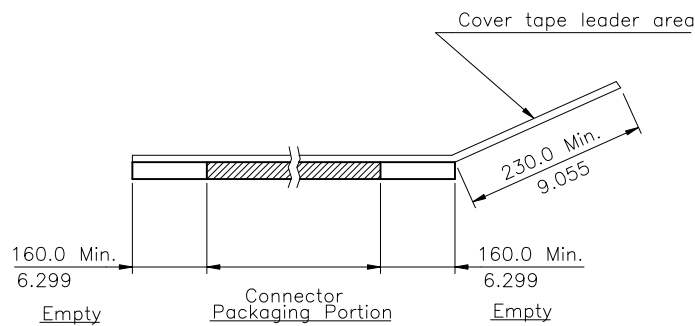
DESCRIPTION: 1.00mm(.040") SMT TYPE LIF FFC/FPC CONNECTOR



NOTE :

- * Reel Material : HIPS
- * Carrier Material : Clear, Conductive Polystyrene Alloy
- * Cover Tape Material : Polyester
- * Cover Tape Peel Strength : 0.1N – 1.3N
- * Carrier camber is within 1mm in 250mm
- * All dimensions meet EIA-481-B requirements.
- * Quantity : 800 PCS/Reel

Circuits	Dimension					Packing (Reel/Carton)
	E	F	W1	W2	W3	
3~10	24.0(.945)	---	24.5(.965)	30.5(1.201)	24.5(.965)	9
11~15	32.0(1.260)	28.40(1.118)	32.5(1.280)	38.5(1.516)	32.5(1.280)	7
△ 16~27	44.0(1.732)	40.40(1.591)	44.5(1.752)	50.5(1.988)	44.5(1.752)	5
28~32	56.0(2.205)	52.40(2.063)	56.5(2.224)	62.5(2.461)	56.5(2.224)	3



WIDTH : 32, 44 & 56 mm Carrier

WIDTH : 24 mm Carrier

MORETHANALL
PCB CONNECTORS
Cable ASSEMBLIES

煜倫股份有限公司

www.morethanall.com

RoHS Compliant

DRAWING BY CY

CHECKED BY GENIUS

UNIT / mm SCALE 1 : 1

DATE

SIZE A4

TOLERANCES ARE

X, ±
.X ± 0.15
.XX ± 0.10
.XXX ± 0.05
ANG ±

PJECTION

照片框

ORDER INFORMATION

FPA-VLAL50CR-xx-LF

SERIES | | | | | LEAD FREE
180°SMT | | | | | REEL
NON ZIF | | | | | MYLAR
SINGLE CONTACT | | | | | HIGH 5.0mm
L TYPE FOOT

DESCRIPTION: 1.00mm(.040") SMT TYPE LIF FFC/FPC CONNECTOR