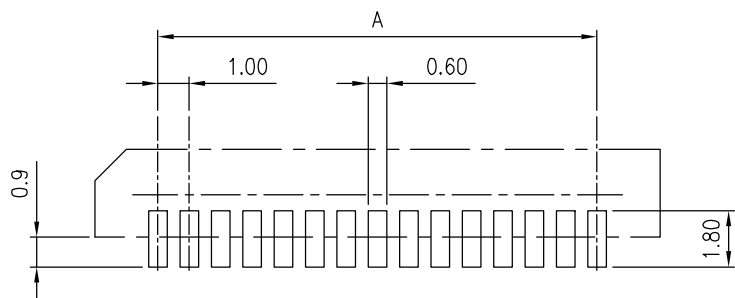
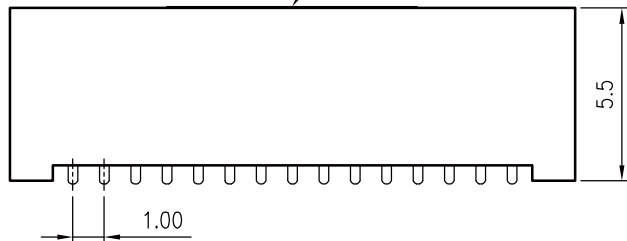
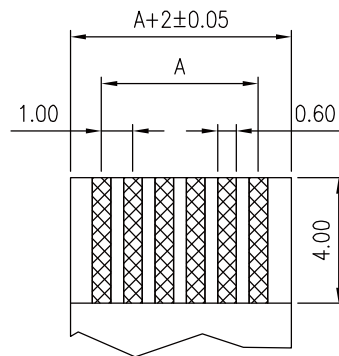
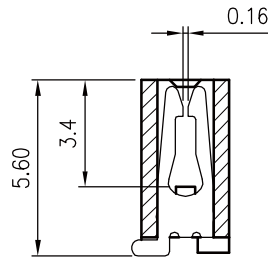


TAPE (Middle Center)
L x 2.8(W) x 0.06(T)



RECOMMENDED PCB LAYOUT



FPC/FFC T=0.30±0.05

■ MATERIAL

INSULATOR: GLASS-REINFORCED THERMOPLASTIC.
CONTACT: COPPER ALLOY.
PLATING: ALL TIN, LEAD FREE.

■ ELECTRICAL

CURRENT RATING: 0.5 AMP.
DIELECTRIC WITHSTANDING VOLTAGE: 500 VAC MIN.
INSULATION RESISTANCE: 1000 MEGAOHMS MIN.
CONTACT RESISTANCE: 30 MILLIOHMS MAX.

■ ENVIRONMENTAL

TEMPERATURE RANGE: -40°C TO 85°C.

■ DIMENSION TABLE

Circuits	Dimension				Circuits	Dimension			
	A	B	C	L		A	B	C	L
2	1.00	3.1	5	4	20	19.00	21.1	23	12
3	2.00	4.1	6		21	20.00	22.1	24	
4	3.00	5.1	7		22	21.00	23.1	25	
5	4.00	6.1	8		23	22.00	24.1	26	
6	5.00	7.1	9		24	23.00	25.1	27	
7	6.00	8.1	10		25	24.00	26.1	28	
8	7.00	9.1	11	8	26	25.00	27.1	29	
9	8.00	10.1	12		27	26.00	28.1	30	
10	9.00	11.1	13		28	27.00	29.1	31	
11	10.00	12.1	14		29	28.00	30.1	32	
12	11.00	13.1	15		30	29.00	31.1	33	
13	12.00	14.1	16		31	30.00	32.1	34	
14	13.00	15.1	17	12	32	31.00	33.1	35	
15	14.00	16.1	18		33	32.00	34.1	36	
16	15.00	17.1	19		34	33.00	35.1	37	
17	16.00	18.1	20		35	34.00	36.1	38	
18	17.00	19.1	21		36	35.00	37.1	39	
19	18.00	20.1	22						

RoHS Compliant

TOLERANCES ARE

MORETHANALL
PCB CONNECTORS
Cable ASSEMBLIES

煜倫股份有限公司

www.morethanall.com

DRAWING BY CY

CHECKED BY GENIUS

UNIT / mm SCALE 1 : 1

DATE

SIZE A4

X, ±
.X ±
.XX ±
.XXX ±
ANG ±

PJECTION

照片框

ORDER INFORMATION

FPA-VL2L561C-xx-LF
SERIES | | | | | LEADFREE
02-36WAY
1 ROW PIN
180°SMT | | | | | HIGH 5.6mm
NON ZIF | | | | | L TYPE FOOT
DUAL CONTACT

DESCRIPTION: FPC/FFC 1.0 PITCH NON ZIF TOP ENTRY DUAL CONTACT SMT TYPE - STANDARD PCB LAYOUT