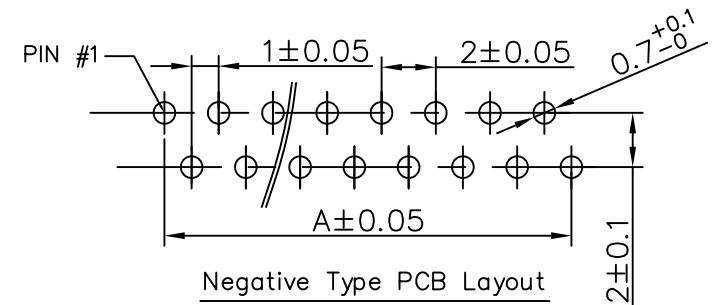


FPC/FFC T=0.30±0.05

Material:

- 1.1 Housing: thermoplastic high temp. UL94V-0; Color: Black.
- 1.2 Terminal: Copper Alloy.



Negative Type PCB Layout

PIN NO.	DIM. A	DIM. B	DIM. C
4~N~30	N-1.00	N+1.10	N+3.00

RoHS Compliant

TOLERANCES ARE

MORETHANALL
PCB CONNECTORS
Cable ASSEMBLIES

DRAWING BY CY

CHECKED BY GENIUS

UNIT / mm SCALE 1 : 1

DATE

SIZE A4

X. ±
.X ± 0.20
.XX ± 0.15
.XXX ± 0.10
ANG ±

PJECTION

照片框

ORDER INFORMATION

FPA-RL2R-xx-LF
SERIES | | | LEADFREE
90°SMT | | | 04~30WAY
R TYPE FOOT
DUAL CONTACT
NON ZIF

DESCRIPTION: 1.0mm non-ZIF FPC DIP R/A CONNECTOR

煜倫股份有限公司

www.morethanall.com