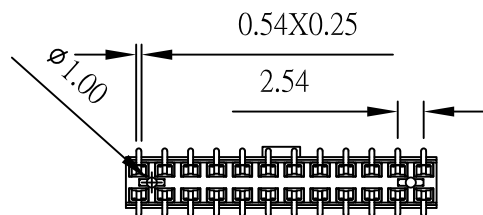
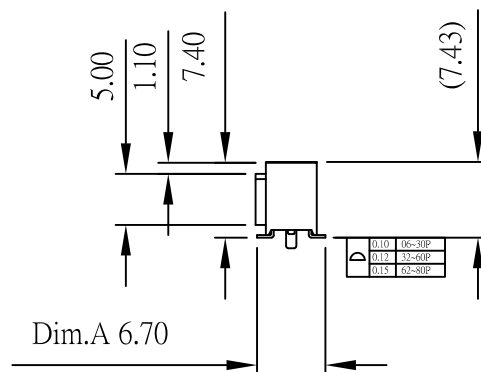


06~20 pin : 0.10 mm MAX.  
 22~50 pin : 0.20 mm MAX.  
 52~80 pin : 0.30 mm MAX.

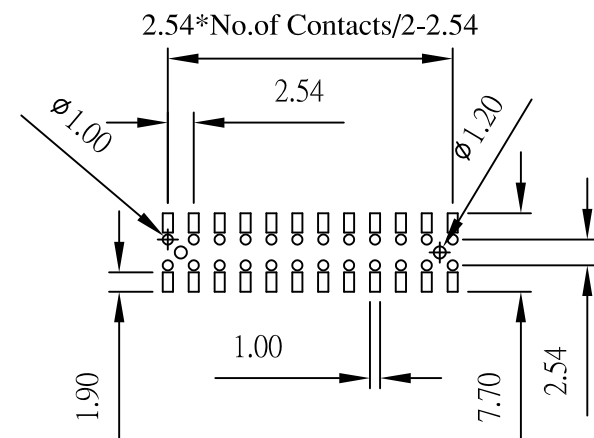


Current Rating and voltage: 3 Amps 250V(r.m.s)  
 Insulator Resistance: 5000 Megohms min  
 Contact Resistance: 20 m ohms max  
 Dielectric Withstanding: 1000 V AC  
 Operating Temperature: - 40° ~ +105° C  
 Max Processing Temp: 230° C for 60 seconds  
 Max Processing Temp: 260° C for 10 seconds  
 Contact Material: Phosphor Bronze  
 Insulator Material: High Temperature Plastic,UL 94V-0  
 Finish: Standard: Gold Flash all over



CONTACT	Mylar ( A )
2x4~2x40 Pin	5.0*8.0*0.08t
2x2~2x3 Pin	5.0*5.0*0.08t

Recommended P.C. Board  
 SMD Layout



RoHS Compliant

TOLERANCES ARE

**MORETHANALL**  
 PCB CONNECTORS  
 Cable ASSEMBLIES

DRAWING BY CY

X. ±

CHECKED BY GENIUS

.X ±

UNIT / mm

SCALE 1 : 1

.XXX ±

DATE

ANG ±

煜倫股份有限公司

www.morethanall.com

SIZE A4

PJECTION

照片框

ORDER INFORMATION

FK-Z74PC-2Xxx-LF

SERIES | LEADFREE  
 2X02:04WAY  
 2X40:80WAY  
 CAP  
 POST  
 HIGH 7.4mm

BOTTOM ENTRY SMT

DESCRIPTION: